

INSTRUCTION SHEET

for: **2KA 980 869-0xx / 2560 / 2560-BULK**



ADR - APPLICATION AND MOUNTING INSTRUCTIONS

ADR 48/00 Devices for Illumination of Rear Registration Plates

LED LICENCE PLATE LAMP

Multivolt 12 / 24V DC

Two lamp modules must be mounted as follows

- Lamp mounting surface must be perpendicular with the licence plate surface.
- Lamp modules must be mounted with the supplied mounting spacers.
- Lamps must be mounted on top of the licence plate, refer to *Diagram 1* below.
- Or, lamps must be mounted at each side of the licence plate, refer to *Diagram 2* on following page.

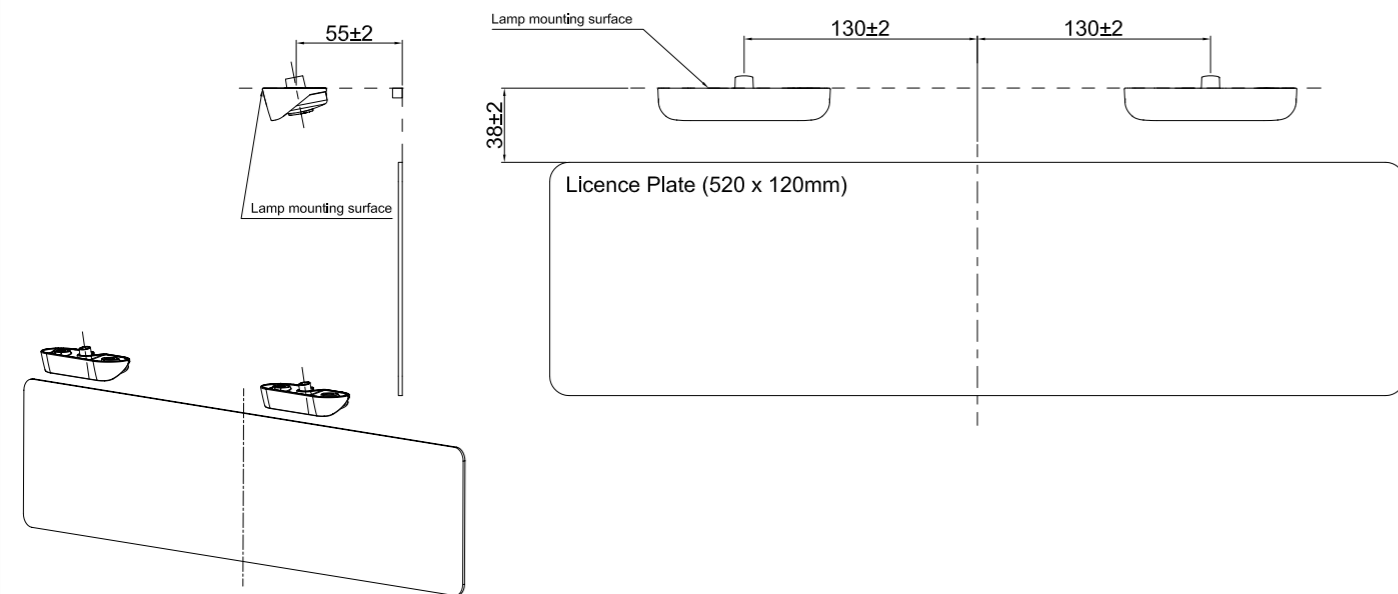
Lens Marking and ADR 13/00 Installation Requirements

This LED Licence Plate Lamp, identified by lens marking 0855 and the logo was manufactured to comply with ADR 48/00 Devices for Illumination of Rear Registration Plates:

- Geometric visibility of registration plate:
 - Vertical: From 5° above to 5° below the horizontal
 - Horizontal: From 30° left to 30° to the right

NB: Two lamps are required for ADR compliance when mounted with a maximum licence plate size of 520 x 120mm.

Diagram 1 - Top mounting (not to scale)



LENS IDENTIFICATION NUMBER: 0855

All dimensions in millimetres

CATALOGUE NUMBER	ENGINEERING NUMBER	CRN NUMBER	COMPLIANCE NUMBER	ADR 51/00 GLOBE	ADR APPLICABLE
2560	2KA 980 869-00	46799	2560*LP*C	N/A LED	ADR 48/00
AMENDMENTS			ADR COMPLIANCE VERIFIED	ISSUE DATE:	
				08/14	
				958 315-24	

HELLA-New Zealand Limited, Auckland

INSTRUCTION SHEET

for: **2KA 980 869-0xx / 2560 / 2560-BULK**



ADR - APPLICATION AND MOUNTING INSTRUCTIONS

ADR 48/00 Devices for Illumination of Rear Registration Plates

LED LICENCE PLATE LAMP

Multivolt 12 / 24V DC

Two lamp modules must be mounted as follows

- Lamp mounting surface must be perpendicular with the licence plate surface.
- Lamp modules must be mounted with the supplied mounting spacers.
- Lamps must be mounted on top of the licence plate, refer to *Diagram 1* below.
- Or, lamps must be mounted at each side of the licence plate, refer to *Diagram 2* on following page.

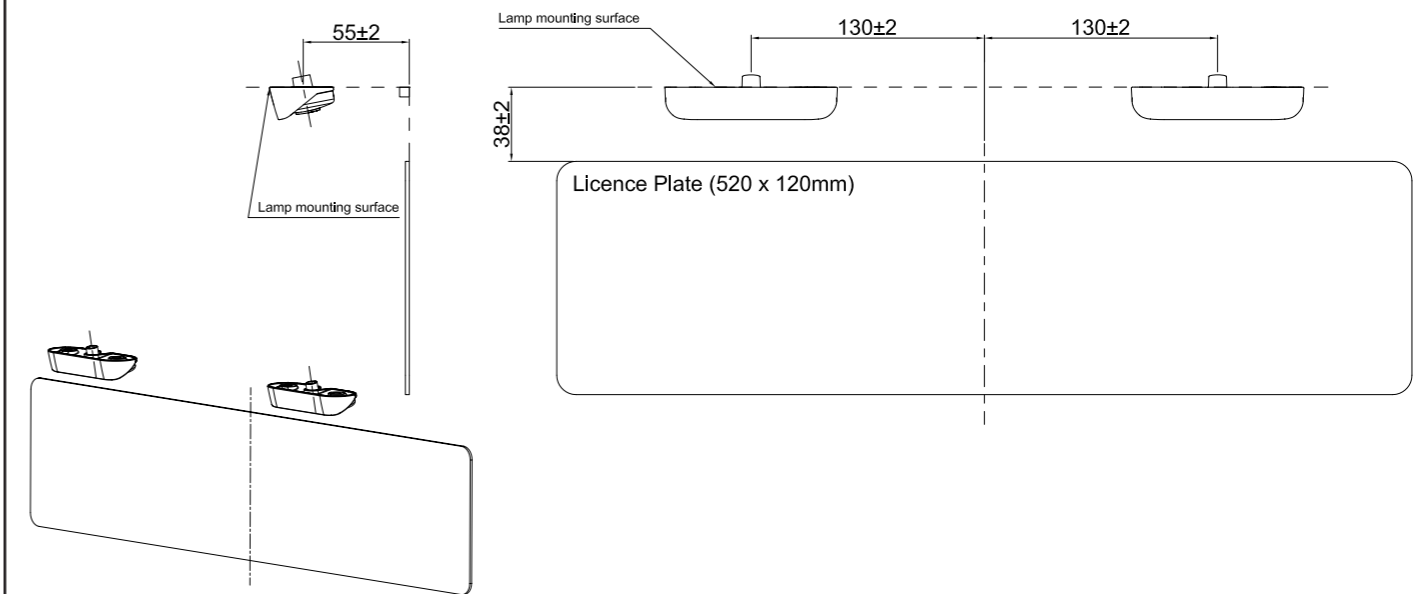
Lens Marking and ADR 13/00 Installation Requirements

This LED Licence Plate Lamp, identified by lens marking 0855 and the logo was manufactured to comply with ADR 48/00 Devices for Illumination of Rear Registration Plates:

- Geometric visibility of registration plate:
 - Vertical: From 5° above to 5° below the horizontal
 - Horizontal: From 30° left to 30° to the right

NB: Two lamps are required for ADR compliance when mounted with a maximum licence plate size of 520 x 120mm.

Diagram 1 - Top mounting (not to scale)



LENS IDENTIFICATION NUMBER: 0855

All dimensions in millimetres

CATALOGUE NUMBER	ENGINEERING NUMBER	CRN NUMBER	COMPLIANCE NUMBER	ADR 51/00 GLOBE	ADR APPLICABLE
2560	2KA 980 869-00	46799	2560*LP*C	N/A LED	ADR 48/00
AMENDMENTS			ADR COMPLIANCE VERIFIED	ISSUE DATE:	
				08/14	
				958 315-24	

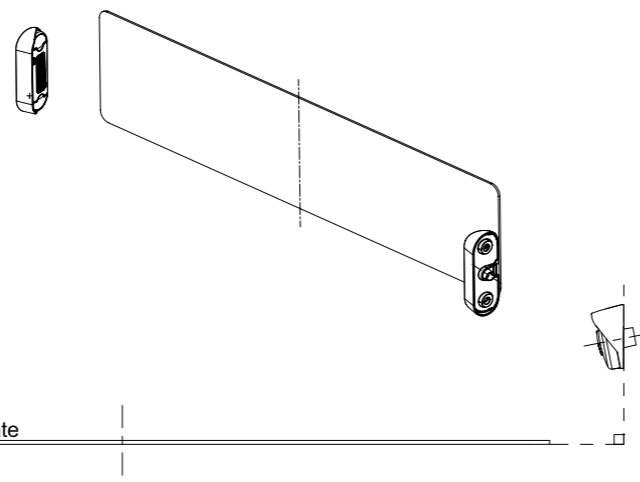
HELLA-New Zealand Limited, Auckland

INSTRUCTION SHEET

for: **2KA 980 869-0xx / 2560 / 2560-BULK**



Diagram 2 - Alternative side mounting (not to scale)



Lamp Mounting Instructions

- Lamps should be mounted on a flat surface with no curvature.
 - Drill a minimum hole size of Ø10 mm through the mounting surface for the centre cable exit. The lamp module and mounting spacer can then be used as a template to mark the location of the mounting holes.
 - Drill two mounting holes up to Ø5.5 mm at 58 mm centres through the mounting surface.
 - Fasten the lamp module and mounting spacer, with a maximum torque of 2.5 Nm, to the mounting surface using two Ø5 mm screws or bolts (not included). A maximum screw head height of 4 mm is recommended.
 - Once the lamp modules and mounting spacers are mounted, clip the screw caps on securely until flush with the lens surface.
- Note: Do not use countersunk screws or overtighten the mounting screws in the plastic lens. Lamp modules are fully sealed and have no serviceable components.

Wiring Colour Coding

The LED lamp is multi voltage capable for optimum brightness in 12 and 24 Volt systems. LED modules are polarity conscious. Reverse polarity will not damage this product but will inhibit its function. HELLA recommends wire connections be soldered, and heat shrink tubing applied to seal the joint.

Colour	Connect to	Power Consumption
Black	Earth (-)	-
Red	Positive (+)	0.5 W

NB: Lamp must be protected by a fuse rated at 2 amperes maximum.

Compatibility to existing electrical systems

It is important for the installer to ascertain the compatibility of the low power consumption LED lamps with the electrical and/or electronic systems of the complete vehicle, including trailers. In most cases the reduced power consumption is beneficial by imposing less demands on the entire electrical system.

For certain functions some electrical systems rely on a set power consumption for monitoring whether, for example, a trailer is connected. Operation of this lamp using alternating current or modulated direct voltage will cause premature light failure. HELLA recommends connecting ADR or ECE certified Multivolt LED signal and marker lamps to a continuous (unmodulated) 12V or 24V power supply to ensure safe light operation.

FIT AND FORGET - BY DESIGN

Congratulations, the product you have selected comes from **HELLA** - a world leader in LED lighting design.



Following the launch of the first LED automotive signal lamps in 1990, **HELLA** Design and Innovation continues to set new standards. **HELLA** innovative solutions have been incorporated into millions of lamps, engineered and tested to the most stringent standards, to suit the most demanding environmental conditions.

The cornerstone to the success of our products is our no compromise **Fit and Forget - by Design** philosophy which is incorporated into every step of the product life cycle.

In a world consuming finite resources at an ever faster rate, **Fit and Forget - by Design** is the right environmental choice that also makes perfect economic sense to customers that consider the total life cycle Cost of Ownership.

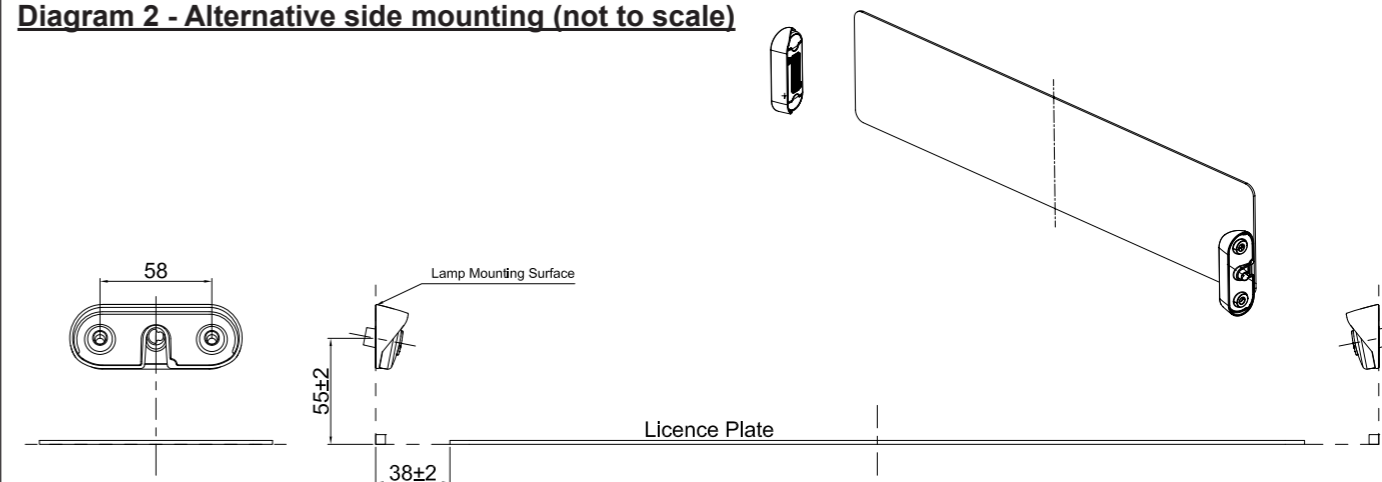
For general comments about HELLA's products please contact us on E-mail at techfeedback@hella.co.nz

INSTRUCTION SHEET

for: **2KA 980 869-0xx / 2560 / 2560-BULK**



Diagram 2 - Alternative side mounting (not to scale)



Lamp Mounting Instructions

- Lamps should be mounted on a flat surface with no curvature.
 - Drill a minimum hole size of Ø10 mm through the mounting surface for the centre cable exit. The lamp module and mounting spacer can then be used as a template to mark the location of the mounting holes.
 - Drill two mounting holes up to Ø5.5 mm at 58 mm centres through the mounting surface.
 - Fasten the lamp module and mounting spacer, with a maximum torque of 2.5 Nm, to the mounting surface using two Ø5 mm screws or bolts (not included). A maximum screw head height of 4 mm is recommended.
 - Once the lamp modules and mounting spacers are mounted, clip the screw caps on securely until flush with the lens surface.
- Note: Do not use countersunk screws or overtighten the mounting screws in the plastic lens. Lamp modules are fully sealed and have no serviceable components.

Wiring Colour Coding

The LED lamp is multi voltage capable for optimum brightness in 12 and 24 Volt systems. LED modules are polarity conscious. Reverse polarity will not damage this product but will inhibit its function. HELLA recommends wire connections be soldered, and heat shrink tubing applied to seal the joint.

Colour	Connect to	Power Consumption
Black	Earth (-)	-
Red	Positive (+)	0.5 W

NB: Lamp must be protected by a fuse rated at 2 amperes maximum.

Compatibility to existing electrical systems

It is important for the installer to ascertain the compatibility of the low power consumption LED lamps with the electrical and/or electronic systems of the complete vehicle, including trailers. In most cases the reduced power consumption is beneficial by imposing less demands on the entire electrical system.

For certain functions some electrical systems rely on a set power consumption for monitoring whether, for example, a trailer is connected. Operation of this lamp using alternating current or modulated direct voltage will cause premature light failure. HELLA recommends connecting ADR or ECE certified Multivolt LED signal and marker lamps to a continuous (unmodulated) 12V or 24V power supply to ensure safe light operation.

FIT AND FORGET - BY DESIGN

Congratulations, the product you have selected comes from **HELLA** - a world leader in LED lighting design.



Following the launch of the first LED automotive signal lamps in 1990, **HELLA** Design and Innovation continues to set new standards. **HELLA** innovative solutions have been incorporated into millions of lamps, engineered and tested to the most stringent standards, to suit the most demanding environmental conditions.

The cornerstone to the success of our products is our no compromise **Fit and Forget - by Design** philosophy which is incorporated into every step of the product life cycle.

In a world consuming finite resources at an ever faster rate, **Fit and Forget - by Design** is the right environmental choice that also makes perfect economic sense to customers that consider the total life cycle Cost of Ownership.

For general comments about HELLA's products please contact us on E-mail at techfeedback@hella.co.nz