



## A quick reference guide ADR requirements

The following pages are a guide to mounting Hella lamps in compliance with the Australian Design Rules (ADR). These diagrams are only intended as a general guide, and for exact mounting specifications, please refer to ADR 13/00.\*

The 3rd Edition ADRs cover all vehicles and trailers (even those not subject to registration requirements – very light trailers or ‘box’ trailers).

To simplify the ADR approval process for smaller manufacturers, (including individual home-builders), Hella has undertaken to make a consolidated Summary of Evidence (SE) submission to the Federal Office of Road Safety\* (FORS).

This submission covers all Hella products that comply with the 3rd Edition ADRs.

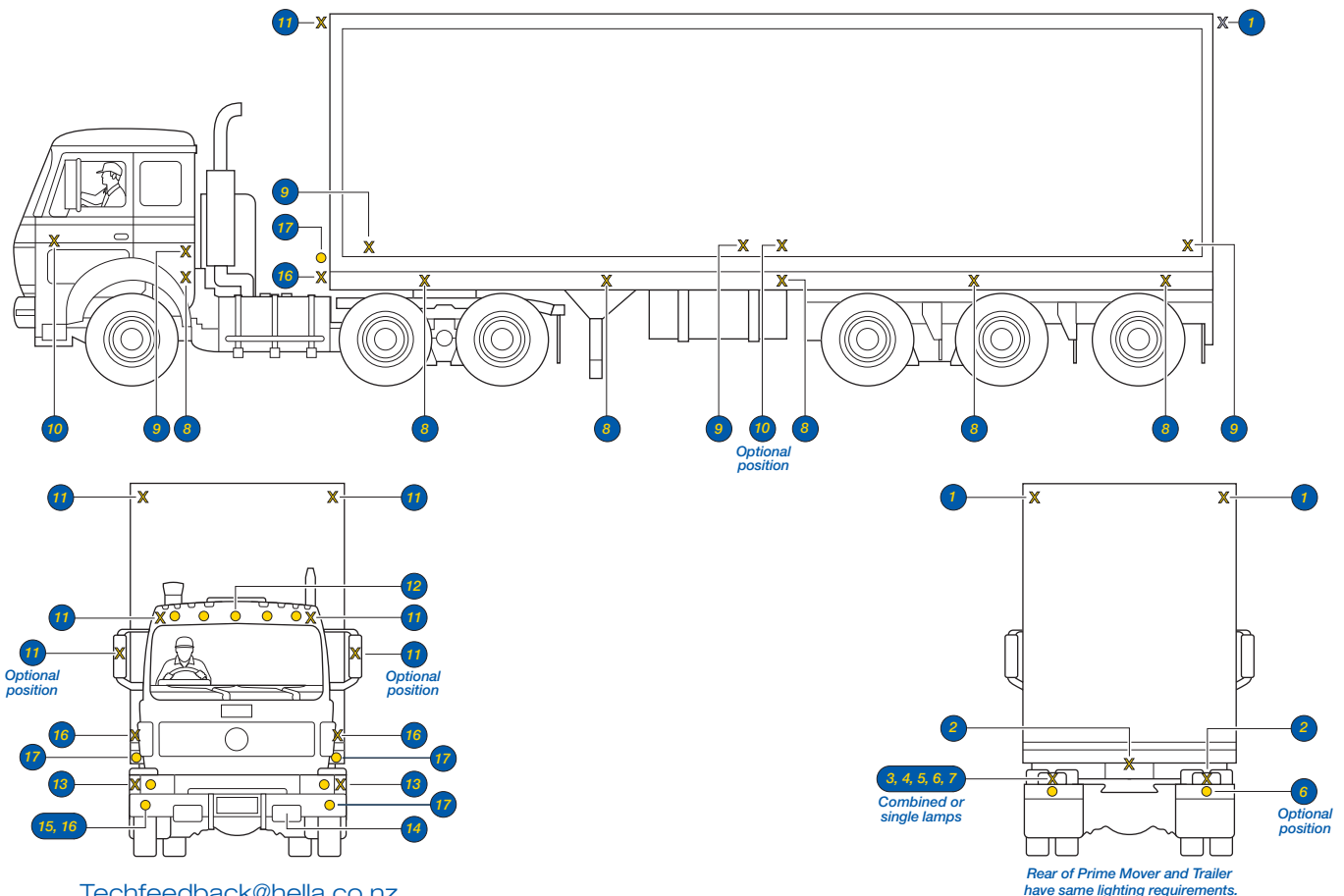
The new Hella catalogue lists both the Hella and FORS Component Registration Numbers (CRN) beside each item in a quick reference ADR application chart found on page 268. Packaging now indicates ADR compliance, and lamp identification information, along with specific ADR related lamp orientation and mounting requirements. The provision of this information will enable customers requiring ADR compliance to simply quote the relevant CRN to the authorities (who maintain a central register) rather than undertake detailed SE submissions for each lamp function.

See Page 268 for the full ADR reference chart.

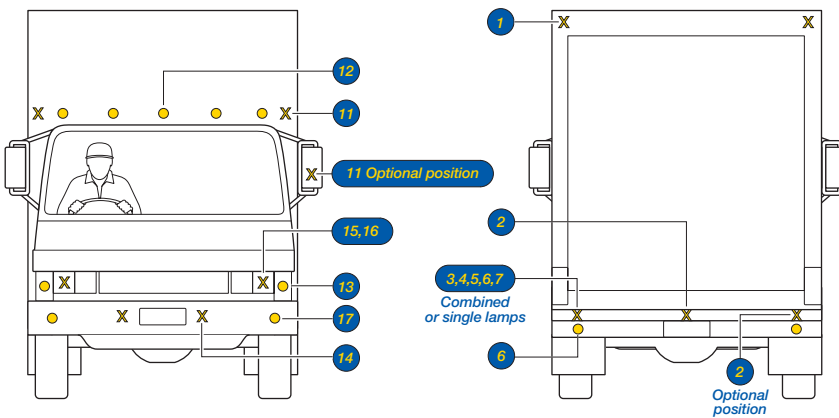
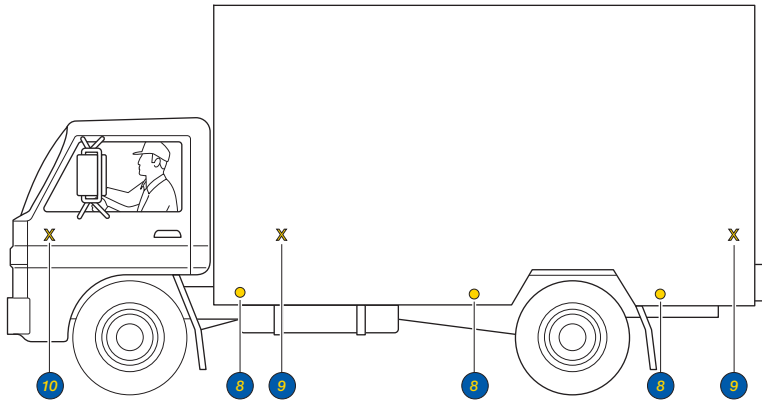
INSTRUCTION SHEET for <b>Part No. 2330 / 2330 - BULK</b>					
<b>ADR - APPLICATION AND MOUNTING INSTRUCTIONS</b>					
<b>DuraLed® STOP/TAIL LAMP Generation II</b>					
<b>Multivolt 9 - 33 volts</b>					
Features include:					
<ul style="list-style-type: none"> <li>○ <i>DuraLed</i>® = Ultra long life</li> <li>○ <i>DuraLed</i>® = Now with EDT (Enhanced Definition Technology)</li> <li>○ <i>DuraLed</i>® = Reverse polarity protected</li> <li>○ <i>DuraLed</i>® = Fully sealed against dust and water</li> <li>○ <i>DuraLed</i>® = Low power consumption</li> <li>○ <i>DuraLed</i>® = Compensates for voltage drop on long vehicles</li> <li>○ <i>DuraLed</i>® = Withstands most vibration and mechanical shock applications</li> <li>○ <i>DuraLed</i>® = Manufactured from the latest 'high tech' acrylic with enhanced impact and chemical tolerance</li> </ul>					
*EDT = This technology has been developed based on overseas experiments, which show the reaction time is faster if the difference between Stop and Tail light is not only defined by a brightness change but also a change in the size of the illuminated area. Enhanced Definition Technology of the Generation II <i>DuraLed</i> is a development based on this research. Sudden changes in size are subconsciously interpreted as a rapid closing speed, thus triggering the brake reaction of the following driver faster.					
<b>Lens Marking and ADR 13/00 Installation Requirements</b>					
This lamp identified by lens marking 9060, and red colour was manufactured to comply with ADR 49/00 Rear Position (Side) / Stop Lamps.					
<ul style="list-style-type: none"> <li>○ Lamp mounting surface must be vertical to the ground, and at right angles to the longitudinal axis of the vehicle.</li> <li>○ Lamp must be visible from 45° inboard and 80° outboard, as well as from 15° above and below the horizontal axis.</li> <li>○ Lamp is approved to be mounted horizontally or vertically.</li> </ul>					
Please refer to ADR 13/00 for more details.					
Note: Lamp does not include a reflex reflector.					
<b>Mounting Options</b>		<b>General Dimensions (in millimeters)</b>			
LENS IDENTIFICATION NUMBER: 9060					
CATALOGUE NUMBER	ENGINEERING NUMBER	CRN NUMBER	COMPLIANCE NUMBER	ADR 5100 GLOBAL	ADR APPLICABLE
2330 / 2330 - BULK	258 959 060-90	16493	8 - 2330 - 08	N/A LED	ADR 49/00
AMENDMENTS				ADR COMPLIANCE VERIFIED	ISSUE DATE:
					7/98
				519 167-00	
Hella-New Zealand Limited, Pakuranga					

\* For more information please see the Land Transport of New Zealand (LTNZ) website: [www.ltnz.govt.nz](http://www.ltnz.govt.nz), or the Australian Department of Transport website: [www.dotars.gov.au](http://www.dotars.gov.au).

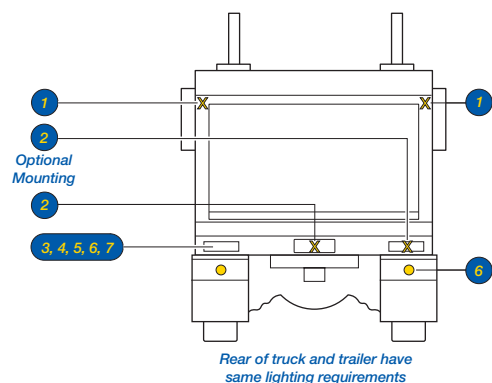
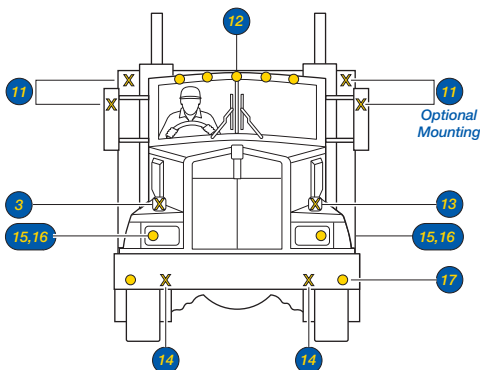
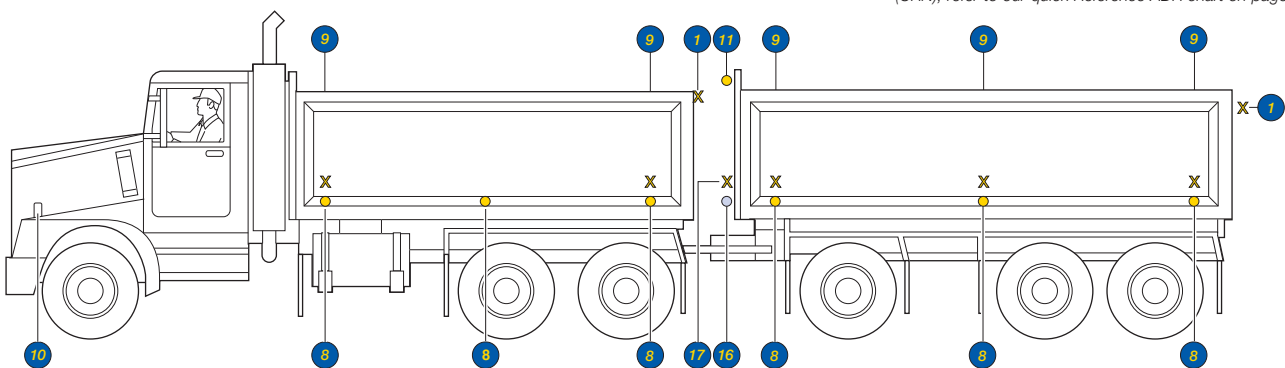
### Semi Trailer



## Small Truck



## Single Trailer



## Rear

1	ADR 49/00	Rear End Outline Lamps
2	ADR 48/00	Licence Plate Lamps
3	ADR 6/00 Cat. 2	Rear Direction Indicator Lamps
4	ADR 49/00	Rear Position Lamps
5	ADR 49/00	Stop Lamps
6	ADR 47/00	Rear Reflex Reflectors
7	ADR 1/00	Reversing Lamps

## Side

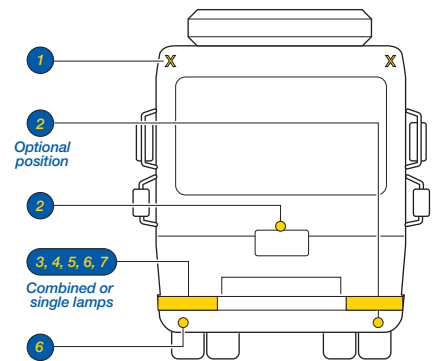
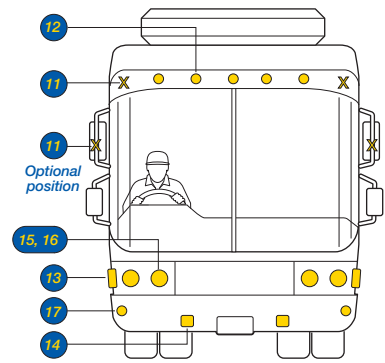
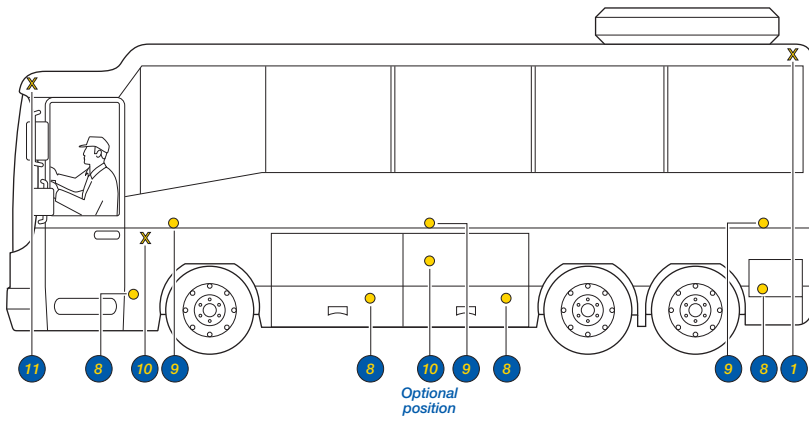
8	ADR 47/00	Side Reflex Reflectors - optional
9	ADR 45/01 or ADR 74/00	Side Marker Lamps
10	ADR 6/00	Supplementary Side Direction Indicator Lamps

## Front

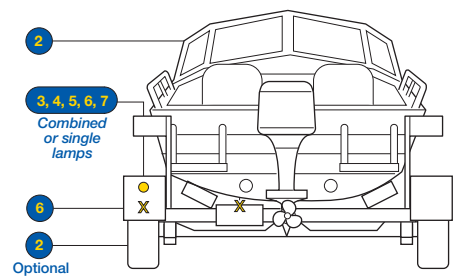
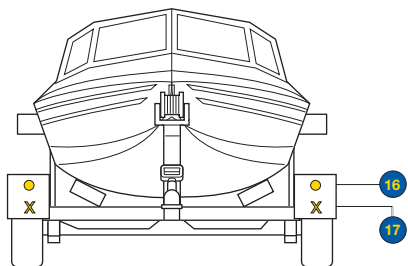
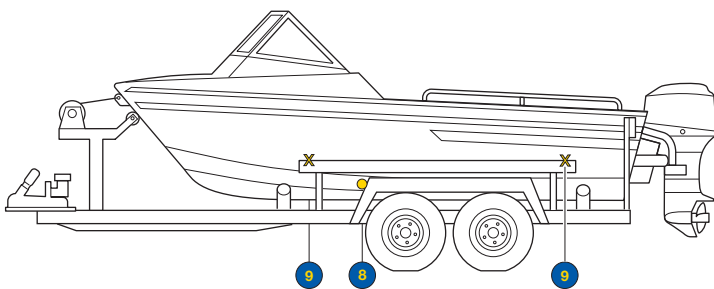
11	ADR 49/00	Front End Outline Lamps
12	ADR 45/01	Cab Marker Lamps
13	ADR 6/00 Cat. 1	Front Direction Indicator Lamps
14	ADR 50/00	Front Fog Lamps - optional
15	ADR 46/00	Headlamps
16	ADR 49/00	Front Position Lamps
17	ADR 47/00	Front Reflex Reflectors - optional
18		Optional Driving Lamps (Optional on motor vehicles. ADR 13/00 permits 2 or 4 driving lamps that do not have to comply with ADR 46/00.)

For a complete list of FORS Component Registration numbers (CRN), refer to our quick Reference ADR chart on page 268.

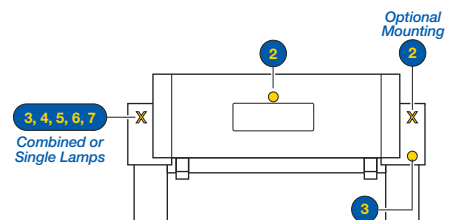
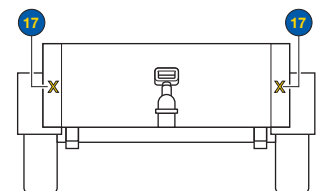
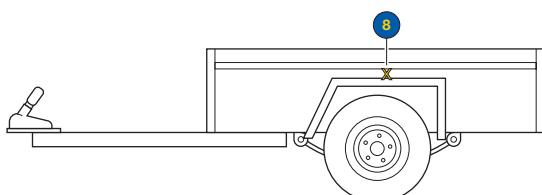
## Coach



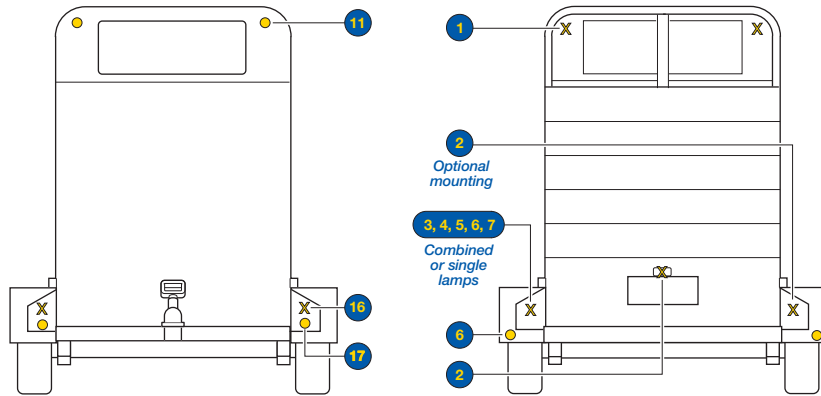
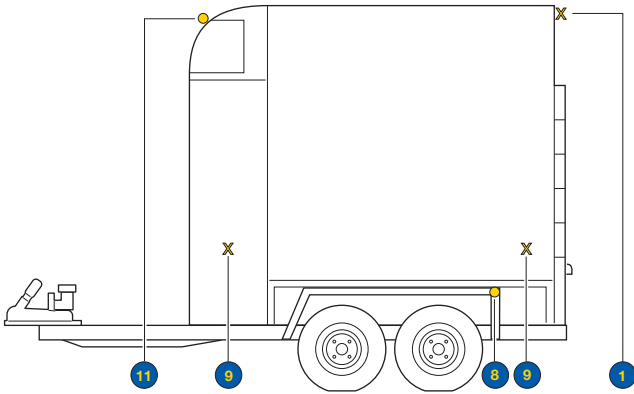
## Boat Trailer



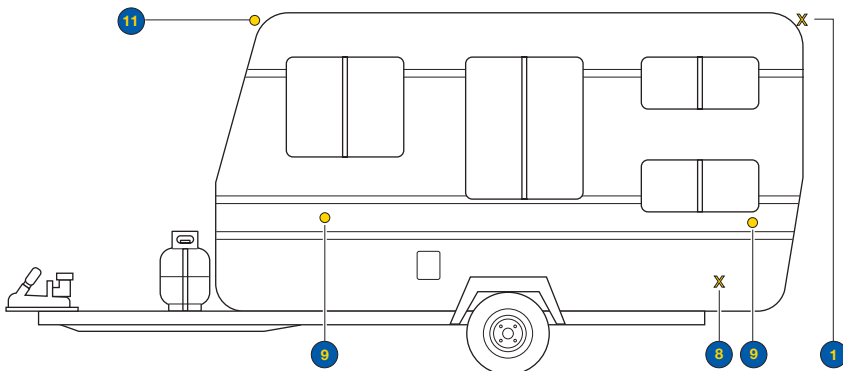
## Trailer



Horse Float



Caravan



Rear

- 1 ADR 49/00 Rear End Outline Lamps
- 2 ADR 48/00 Licence Plate Lamps
- 3 ADR 6/00 Cat. 2 Rear Direction Indicator Lamps
- 4 ADR 49/00 Rear Position Lamps
- 5 ADR 49/00 Stop Lamps
- 6 ADR 47/00 Rear Reflex Reflectors
- 7 ADR 1/00 Reversing Lamps

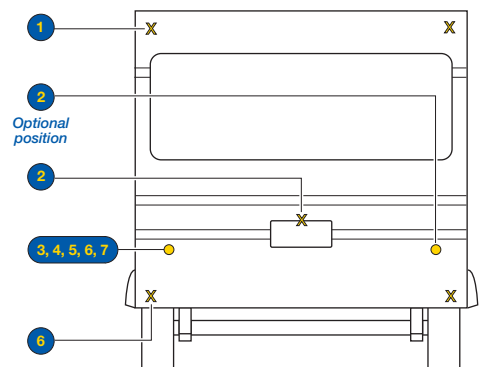
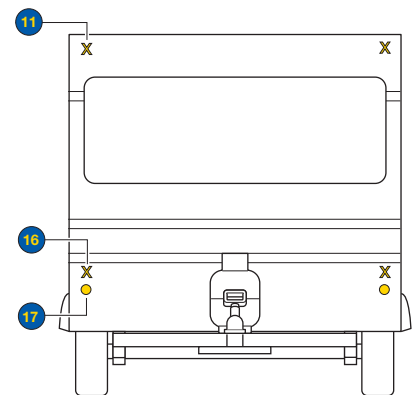
Side

- 8 ADR 47/00 Side Reflex Reflectors - optional
- 9 ADR 45/01 or ADR 74/00 Side Marker Lamps
- 10 ADR 6/00 Supplementary Side Direction Indicator Lamps

Front

- 11 ADR 49/00 Front End Outline Lamps
- 12 ADR 45/01 Cab Marker Lamps
- 13 ADR 6/00 Cat. 1 Front Direction Indicator Lamps
- 14 ADR 50/00 Front Fog Lamps (Optional)
- 15 ADR 46/00 Headlamps
- 16 ADR 49/00 Front Position Lamps
- 17 ADR 47/00 Front Reflex Reflectors - optional
- 18 Optional Driving Lamps (Optional on motor vehicles. ADR 13/00 permits 2 or 4 driving lamps that do not have to comply with ADR 46/00.)

For a complete list of FORS Component Registration numbers (CRN), refer to our quick Reference ADR chart on page 268.



Hella Part No.	Engineering Drawing No.	A.D.R.No.	Function	Bulb(s)	Bulb Type	Hella Ref / ECE	F.O.R.S Ref : CRN / ECE	Instruction Sheet No.	Lamp Identification
1000	012614-00	76/00	Daytime Running Lamp	R1221	P21W	DRL*1000*B	27424	911-353-51	RL 008701
1001	950957-00	6/00:Cat 1	Front Direction Indicator Lamp	R1221	P21W	FL*1001*A	15230	911-351-00	016086(Turn Signal) 17031R20(Headlamp)
		46/00	Headlamp	XD1260/55	H4	HL*1001*A	15232		
		49/00	Front Position Lamp	HL124	T4W	FP*1001*A	15231		
1003	980608-50	76/00	Daytime Running Lamp	LED	N/A LED	DRL*1003*A	41607	980-703-11	9060
1004	980670-00	76/00	Daytime Running Lamp	LED	N/A LED	N/A ECE	E24 87R-000002	980-703-10	0670
1005, 1005-24V	980680-00/50	76/00	Daytime Running Lamp	LED	N/A LED	N/A ECE	RL 00 E24 0001	980-703-12/24	0680
1027	003434-18	46/00	Headlamp	XD1260/55	H4	HL*1027*A	15311	911-352-79	17016
		49/00	Front Position Lamp	HL124	T4W	FP*1027*A	15317		
1028	007834-00	46/00	Headlamp (Low/Dipped Beam)	C1255	H1	HL*1028*A	32013	911-353-80	550
1029	008193-00	46/00	Headlamp (Low/Dipped Beam)	CA1255	H7	HL*1029*A	32008	911-353-81	917
1030	008191-00/02	46/00	Headlamp (High/Main Beam)	CA1255	H7	HL*1030*A	32009	911-353-79	917
		49/00	Front Position Lamp (1030 only)	HL124	T4W	FP*1030*A	32014		
1031	008191-04	46/00	Headlamp (High/Main Beam)	CA1255	H7	HL*1031*A	32010		
1041	003177-06	46/00	Headlamp	C1255	H1	HL*1041*A	15071	911-351-06	24504
1042	003177-30	46/00	Headlamp	XD1260/55	H4	HL*1042*A	15072	911-351-07	7197R20
1043	003427-04	46/00	Headlamp	XD1260/55	H4	HL*1043*A	15198	911-351-08	17009
		49/00	Front Position Lamp	HL124	T4W	FP*1043*A	15197		
1044	003177-51	46/00	Headlamp	XD1260/55	H4	HL*1044*A	15073	911-351-10	7197R20
		49/00	Front Position Lamp	HL124	T4W	FP*1044*A	15074		
1053	114155-00	46/00	Headlamp	C1255	H1	HL*1053*A	15075	911-351-14	14464R8
1054	114178-00	46/00	Headlamp	C1255	H1	HL*1054*A	15092	911-351-15	7076R8
		49/00	Front Position Lamp	HL124	T4W	FP*1054*A	15093		
1055 & 1055HD	002850-06 & 002850-21	46/00	Headlamp	XD1260/55	H4	HL*1055*A	15088	911-351-16	17031R20
		49/00	Front Position Lamp	HL124	T4W	FP*1055*A	15089		
1056	002395-84	46/00	Headlamp	XD1260/55	H4	HL*1056*A	15094	911-351-17	53
		49/00	Front Position Lamp	HL124	T4W	FP*1056*A	15095		
1058 & 1058HD	002395-13 (950519-00) & 002395-26	46/00	Headlamp	XD1260/55	H4	HL*1058*A	15096	911-351-18	53
		49/00	Front Position Lamp	HL124	T4W	FP*1058*A	15097		
1107	956329-00	50/00	Front Fog Lamp	YC1255	H3	FF*1107*A	15127	911-351-29	8361
1108	005750-04	50/00	Front Fog Lamp	YC1255	H3	FF*1108*A	15137	911-351-30	18213R19
1109	005700-02	50/00	Front Fog Lamp	YC1255	H3	FF*1109*A	15134	911-351-31	18216R19
1110	005860-00	50/00	Front Fog Lamp	YC1255	H3	FF1110*A	15218	911-351-32	18227
1111	006300-07	50/00	Front Fog Lamp	YC1255	H3	FF*1111*A	15255	911-351-33	18231
1112	007891-00	50/00	Front Fog Lamp	YC1255	H3	FF*1112*A	21581	911-353-28	02 B 650 E1
1113	007893-00	50/00	Front Fog Lamp	YC1255	H3	FF*1113*A	21577	911-353-30	02 B 645 E1
1114	007892-00	50/00	Front Fog Lamp	YC1255	H3	FF*1114*A	21492	911-353-32	02 B 648 E1
1115	008090-00	50/00	Front Fog Lamp	YC1255	H3	FF*1115*A	28414	911-353-38	02 B E1 877
1118	008773-03	50/00	Front Fog Lamp	CA1255	H7	FF*1118*A	31991	911-353-83	1689
1122	008283-00	50/00	Front Fog Lamp	CA1255	H7	FF*1122*A	26829	911-353-45	021209
1123	008284-00	50/00	Front Fog Lamp	CA1255	H7	FF*1123*A	26830	911-353-47	021211
1178	009094-00	50/00	Front Fog Lamp	CA1255	H7	FF*1178*A	34092	911-353-96	02 1901
1302	008390-00	77/00	High Beam Headlamp	D2S	D2S	HL*1302*A	28841	911-353-52	1120
1304	956327-01	46/00	High Beam Headlamp	CD1255	H2	HL*1304*A	15115	911-351-40	24462R8
1308	005750-30	46/00	High Beam Headlamp	YC1255	H3	HL*1308*A	15139	911-351-43	0444404R8
1309	005700-11	46/00	High Beam Headlamp	YC1255	H3	HL*1309*A	15132	911-351-44	0444410R8
1310	005860-03	46/00	High Beam Headlamp	YC1255	H3	HL*1310*A	15220	911-351-45	044442
1311	006300-12	46/00	High Beam Headlamp	YC1255	H3	HL*1311*A	15254	911-351-46	0444444
1312	007891-01	46/00	High Beam Headlamp	YC1255	H3	HL*1312*A	21582	911-353-29	17.5 E1 651 04 HR

Hella Part No.	Engineering Drawing No.	A.D.R.No.	Function	Bulb(s)	Bulb Type	Hella Ref / ECE	F.O.R.S Ref : CRN / ECE	Instruction Sheet No.	Lamp Identification
1313	007893-0 2	46/00	High Beam Headlamp	YC1255	H3	HL*1313*A	21515	911-353-31	37.5 E1 646 04 HR
1314	007892-01	46/00	High Beam Headlamp	YC1255	H3	HL*1314*A	21484	911-353-33	17.5 E1 649 04 HR
1318	008773-00	46/00	High Beam Headlamp	CA1255	H7	HL*1318*A	32057	911-353-82	1655
1318-BLUE	008773-06								
1319	008773-02	77/00	High Beam Headlamp	D2S	D2S	HL*1319*A	32114	911-353-84	1741
		49/00	Front Position Lamp	LED	N/A LED	FP*1319*A	32150		
1319-24V	008773-05	77/00	High Beam Headlamp	D2S	D2S	HL*1319*A	32114		
		49/00	Front Position Lamp	LED	N/A LED	FP*1319*A	32150		
1322	008283-01	46/00	High Beam Headlamp	CA1255	H7	HL*1322*A	26822	911-353-44	041210
1322-BLUE	008283-03	46/00	High Beam Headlamp	CA1255	H7	N/A ECE	E1 041210	911-353-44	E1 041210
1323	008284-01	46/00	High Beam Headlamp	CA1255	H7	HL*1323*A	26823	911-353-46	041212
1323-BLUE	008284-03	46/00	High Beam Headlamp	CA1255	H7	N/A ECE	E1 041212	911-353-47	E1 041212
1371	008273-00	46/00	High Beam Headlamp	C1255	H1	HL*1371*A	26741	911-353-40	04HR 999
1373	008273-04	77/00	High Beam Headlamp	D2S	D2S	HL*1373*A	26742	911-353-41	00DR 999
1375	95722600	46/00	High Beam Headlamp	C1255	H1	HL*1375*A	31112	911-353-77	04HR 999
1378	009094-02	46/00	High Beam Headlamp	C1255	H1	HL*1378*A	33671	911-353-94	00 1901
1379	009094-04	46/00	High Beam Headlamp	C1255	H1	HL*1379*A	34093	911-353-95	02 1901
		49/00	Front Position Lamp	LED	N/A LED	FP*1379*A	34098		
1379CHROME	009094-05	46/00	High Beam Headlamp	C1255	H1	HL*1379*A	34093	911-353-95	02 1901
		49/00	Front Position Lamp	LED	N/A LED	FP*1379*A	34098		
1382	009094-141	77/00	High Beam Headlamp	XN4001	D1S	HL*1382*B	36044	911-355-07	02 2087
1384	009094-311	77/00	High Beam Headlamp	XN4001	D1S	N/A ECE	E1 002087	Refer ADR 13/00	E1 002087
1401	951215-02	1/00	Reversing Lamp	R1221	P21W	RL*1401*A	15202	911-351-52	91999
1403	003030-17	1/00	Reversing Lamp	R1221	P21W	RL*1403*A	30830	911-353-73	8726
1405	003014-09	1/00	Reversing Lamp	R1221	P21W	RL*1405*A	15131	911-351-53	8703R23
1406	003236-31	1/00	Reversing Lamp	R1221	P21W	RL*1406*A	15130	911-351-54	8728R23
		49/00	Front Position Lamp or Front End Outline Lamp	G125	R5W	FP*1406*B	15292		
1407	901227-70	1/00	Reversing Lamp	K1221	C21W	RL*1407*A	15201	911-351-55	905972
1408	997506-40	1/00	Reversing Spotlamp	YC1255	H3	RL*1408*A	37918	911-355-11	23005
1409	005700-19	1/00	Reversing Spotlamp	YC1255	H3	RL*1409*B	38593	911-355-13	2185
1410	005860-15	1/00	Reversing Spotlamp	YC1255	H3	RL*1410*A	37919	911-355-12	2186
1413	002694-00	1/00	Reversing Lamp	R1221	P21W	RL*1413*A	15129	911-351-57	8708R23
1430-H	959070-50	1/00	Reversing Lamp	LED	N/A LED	RL*1430-H*A	36417	959-150-10	9060
1430-V	959070-55					RL*1430-V*A	36418		
1433	959820-00	1/00	Reversing Lamp	LED	N/A LED	RL*1433*A	33190	959-149-69	9020
1446-H	959041-30	1/00	Reversing Lamp	LED	N/A LED	RL*1446-H*A	35980	959-149-95	9040
1446-V	959041-40	1/00	Reversing Lamp	LED	N/A LED	RL*1446-V*A	36243		
1459	959930-12	1/00	Reversing Lamp	LED	N/A LED	RL*1465*A	35981	959-150-19	9930
1465	959930-00	1/00	Reversing Lamp	LED	N/A LED	RL*1465*A	35981	959-150-04	
1467	959930-11	1/00	Reversing Lamp	LED	N/A LED	RL*1465*A	35981	959-150-18	
1490	959010-50	1/00	Reversing Lamp	LED	N/A LED	RL*1490*A	36253	959-150-16	9010
2000	901227-24	49/00	Front Position Lamp or Front End Outline Lamp	L125	C5W	FP*2000*A	15243	911-351-58	910001
2006	910315-04	45/01	Side Marker Lamp	L125	C5W	SM*2006*A	15148	911-351-60	910320
2009	900711-26	45/01	Side Marker Lamp	L125	C5W	SM*2009*A	15245	911-351-63	900627
		49/00	Front Position Lamp	L125	C5W	FP*2009*A	15307		
2026	959660-30	45/01	Cab Marker Lamp	LED	N/A LED	CM*2026*A	25025	959-149-17	9560
		6/00:Cat 5	Supp. Side Direction Indicator Lamp			SDI*2026*A	25725		
2031	959700-00	6/00:Cat 5	Supp. Side Direction Indicator Lamp	LED	N/A LED	SDI*2031*A	30768	959-149-55	9700

Hella Part No.	Engineering Drawing No.	A.D.R.No.	Function	Bulb(s)	Bulb Type	Hella Ref / ECE	F.O.R.S Ref : CRN / ECE	Instruction Sheet No.	Lamp Identification
2033	959700-20	45/01	Side Marker Lamp	LED	N/A LED	SM*2033*A	31432	959-149-58	9700
2041	958583-02	1/00	Reversing Lamp	R1221	P21W	RL*2041*A	15325	911-352-82	HNZ01
2042	905055-01	45/01	Side Marker Lamp	M123	N/A Type M123	SM*2042*A	15192	911-351-74	910089
2043	910663-09	1/00	Reversing Lamp	R1221	P21W	RL*2043*A	15111	911-351-75	R.D.68158
2044	905055-02	6/00:Cat 5	Supp. Side Direction Indicator Lamp	M123	N/A Type M123	DI*2044*A	16360	911-351-83	910089
2046	958607-02	1/00	Reversing Lamp	R1221	P21W	RL*2046*A	15329	911-352-89	HNZ01
		49/00	Front Position Lamp or Front End Outline Lamp	G125	R5W	FP*2046*A	15352		
2047	963639-00	74/00 SM1	Side Marker Lamp : SM1	LED	N/A LED	SM*2047*A	27321	911-353-34	9605
		47/00	Retro Reflector (Amber Side)	N/A	N/A	RE*2047*A	27481		
2048	963639-01	74/00 : SM1	Side Marker Lamp : SM1	LED	N/A LED	SM*2047*A	27321	911-353-34	9605
		47/00	Retro Reflector (Amber Side)	N/A	N/A	RE*2047*A	27481		
2049	963639-06	74/00 : SM1	Side Marker Lamp : SM1	LED	N/A LED	SM*2047*A	27321	911-353-34	9605
		47/00	Retro Reflector (Amber Side)	N/A	N/A	RE*2047*A	27481		
2050	963639-07	74/00 : SM1	Side Marker Lamp : SM1	LED	N/A LED	SM*2047*A	27321	911-353-34	9605
		47/00	Retro Reflector (Amber Side)	N/A	N/A	RE*2047*A	27481		
2051	959570-10	49/00	Front End Outline Lamp	LED	N/A LED	FEO*2051X*A	40676	959-150-79	9560
2053 & 2053PC & 2053-GMD	959660-50	45/01	Side Marker Lamp	LED	N/A LED	SM*2053*A	24743	959-149-16	9560
2054	959570-50	49/00	Front Position Lamp or Front End Outline Lamp	LED	N/A LED	FP*2054X*A	40677	959-150-80	9560
2055	959590-40	49/00	Front Position Lamp or Front End Outline Lamp	LED	N/A LED	N/A ECE	E4 02 7597	959-149-26	E4 02 7597
2056	959590-30	49/00	Front End Outline Lamp	LED	N/A LED	FEO*2056*A	27380	959-149-38	9590
2057	959650-00	45/01	Cab Marker Lamp	LED	N/A LED	CM*2057*A	27432	959-149-42	9650
2058 & 2058P	980660-00	45/01	Side Marker Lamp	LED	N/A LED	SM*2058*A	41597	980-703-13	6600
2064	003014-07	49/00	Front Position Lamp or Front End Outline Lamp	L125	C5W	FP*2064*A	15177	911-351-77	11793R7
2065	001227-24	49/00	Front Position Lamp or Front End Outline Lamp	L125	C5W	FP*2065*A	15244	911-351-78	2254
2066	006679-00	49/00	Front Position Lamp or Front End Outline Lamp	G1210	R10W	FP*2066*A	15253	911-351-79	0121691
2067	006679-01	45/01	Cab Marker Lamp	G125	R5W	CM*2067*A	15361	911-353-23	TV25
		49/00	Front End Outline Lamp	G125	R5W	FEO*2067*A	15360		
2077	901227-06	6/00:Cat 5	Supp. Side Direction Indicator Lamp	L125	C5W	DI*2077*A	15204	911-351-80	910001
		49/00	Front End Outline Lamp	L125	C5W	FEO*2077*A	25617		
2078	901227-23	49/00	Rear Position Lamp or Rear End Outline Lamp	L125	C5W	RR*2078*A	15250	911-351-81	910001
2100	901227-04	6/00:Cat 1	Front Direction Indicator Lamp	K1221	C21W	FL*2100*A	15212	911-351-88	910001
2101	002939-17	6/00:Cat 1	Front Direction Indicator Lamp	R1221	P21W	DI*2101*A	29439	911-353-58	32710
2105	959932-20	6/00:Cat 1	Front Direction Indicator Lamp	LED	N/A LED	DI*2105M*A	36805	959-150-24	9930
2105CLR	959932-21	6/00:Cat 1	Front Direction Indicator Lamp	LED	N/A LED	DI*2105C*A	40148	911-351-88	910001
2105CLR-CS	959932-05	6/00:Cat 1	Front Direction Indicator Lamp	LED	N/A LED	N/A ECE	1 01 E24 0023	959-150-93	1 01 E24 0023
2105-CS	959932-01	6/00:Cat 1	Front Direction Indicator Lamp	LED	N/A LED	N/A ECE	1 01 E24 0023	959-150-93	1 01 E24 0023
2106-CS	959932-13	6/00:Cat 1	Front Direction Indicator Lamp	LED	N/A LED	N/A ECE	1 01 E24 5851	959-150-92	1 01 E24 5851
		49/00	Front Position Lamp	LED	N/A LED	N/A ECE	A 02 E24 5851		A 02 E24 5851
2107	959011-10	6/00:Cat 1	Front Direction Indicator Lamp	LED	N/A LED	DI*2107*A	41601	980-703-19	9010
2108-GMD24V	980690-00	6/00:Cat 1	Front Direction Indicator Lamp	LED	N/A LED	N/A ECE	E24 5854	980-703-25	0690
		49/00	Front Position Lamp	LED	N/A LED	N/A ECE			
		76/00	Daytime Running Lamp	LED	N/A LED	N/A ECE			

Hella Part No.	Engineering Drawing No.	A.D.R.No.	Function	Bulb(s)	Bulb Type	Hella Ref / ECE	F.O.R.S Ref : CRN / ECE	Instruction Sheet No.	Lamp Identification
2107CLR	959011-11	6/00:Cat 1	Front Direction Indicator Lamp	LED	N/A LED	DI*2107C*A	41609		
2117	001227-23	6/00:Cat 5	Supp. Side Direction Indicator Lamp	L125	C5W	FL*2117*A	15193	911-351-89	2254
		49/00	Front End Outline Lamp	L125	C5W	FEO*2117*A	25698		
2118	004965-80	6/00:Cat 5	Supp. Side Direction Indicator Lamp	W125	W5W	FL*2118*A	15169	911-351-90	42710R6
2119	900806-00	6/00:Cat 5	Supp. Side Direction Indicator Lamp	G125	R5W	FL*2119*A	15206	911-351-91	910055
2120	900806-06	6/00:Cat 5	Supp. Side Direction Indicator Lamp	GD125	R5W	FL*2120*A	15235	911-351-92	910055
2123	900797-05	6/00:Cat 5	Supp. Side Direction Indicator Lamp	G125	R5W	FL*2123*A	15142	911-351-95	49935
		45/01	Cab Marker Lamp	G125	R5W	CM*2123*A	15215		
		49/00	Front End Outline Lamp	G125	R5W	FEO*2123*A	15354		
2124	900797-06	49/00	Front Position Lamp or Front End Outline Lamp	G125	R5W	FP*2124*A	15229	911-351-96	49935
2125	900797-07	6/00:Cat 5	Supp. Side Direction Indicator Lamp	GD125	R5W	FL*2125*A	15213	911-351-97	49935
		45/01	Cab Marker Lamp	GD125	R5W	CM*2125*A	15214		
		49/00	Front End Outline Lamp	GD125	R5W	FEO*2125*A	15355		
2126	905626-04	6/00:Cat 1 & 6/00:Cat 5	Front Direction Indicator Lamp and Supp. Side Direction Indicator Lamp	R1221	P21W	FL*2126*A	15271	911-351-98	905628
		6/00:Cat 5	Supp. Side Direction Indicator Lamp	G125	R5W	FL*2126*B	15300		
		6/00:Cat 1 & 6/00:Cat 5	Front Direction Indicator Lamp and Supp. Side Direction Indicator Lamp	R1221	P21W	FL*2127*A	15272		
2127	900763-29	6/00:Cat 1 & 6/00:Cat 5	Front Direction Indicator Lamp and Supp. Side Direction Indicator Lamp	R1221	P21W	FL*2127*A	15272	911-351-99	R.D.10833
		6/00:Cat 5	Supp. Side Direction Indicator Lamp	G125	R5W	FL*2127*B	15301		
		6/00:Cat 1	Front Direction Indicator Lamp	R1221	P21W	FL*2128*A	15273		
2128	900763-30	6/00:Cat 1	Front Direction Indicator Lamp	R1221	P21W	FL*2128*A	15273	911-352-00	R.D.10833
		6/00:Cat 5	Supp. Side Direction Indicator Lamp	G125	R5W	SDI*2128*A	15306		
2128LED	959932-30	6/00:Cat 1	Front Direction Indicator Lamp	LED	N/A LED	DI*2105M*A	36805	959-150-25	9930
2128LEDCLR	959932-35	6/00:Cat 1	Front Direction Indicator Lamp	LED	N/A LED	DI*2105C*A	40148		
2129	900763-31	6/00:Cat 1 & 6/00:Cat 5	Front Direction Indicator Lamp and Supp. Side Direction Indicator Lamp	FD1221	P21W (DC)	DI*2129*A	15304	911-352-76	R.D.10833
		6/00:Cat 5	Supp. Side Direction Indicator Lamp	GD125	R5W (DC)	DI*2129*B	15305		
2130	959011-00	6/00:Cat 2a	Rear Direction Indicator Lamp	LED	N/A LED	DI*2130*A	30649	959-149-50	9010
2131-CS	959932-15	6/00:Cat 1	Front Direction Indicator Lamp	LED	N/A LED	N/A ECE	1 01 E24 5851	980-703-03	1 01 E24 5851
		49/00	Front Position Lamp	LED	N/A LED	N/A ECE	A 02 E24 5851		A 02 E24 5851
2132-CS	959932-16	6/00:Cat 1	Front Direction Indicator Lamp	LED	N/A LED	N/A ECE	1 01 E24 5851	980-703-04	1 01 E24 5851
		49/00	Front Position Lamp	LED	N/A LED	N/A ECE	A 02 E24 5851		A 02 E24 5851
2133	959822-00	6/00:Cat 2a	Rear Direction Indicator Lamp	LED	N/A LED	DI*2133*A	33191	959-149-71	9020
2133CS	959822-60								
2133-24V	959021-00	6/00:Cat 2a	Rear Direction Indicator Lamp	LED	N/A LED	DI*2133-24V*A	30442	959-149-53	9020
2135	900739-10	6/00:Cat 1	Front Direction Indicator Lamp	K1221	C21W	FL*2135*A	15270	911-352-02	10833
		49/00	Front End Outline Lamp	L125	C5W	FEO*2135*A	25578		
2135LED	959932-31	6/00:Cat 1	Front Direction Indicator Lamp	LED	N/A LED	DI*2105M*A	36805	959-150-26	9930
2135LEDCLR	959932-36	6/00:Cat 1	Front Direction Indicator Lamp	LED	N/A LED	DI*2105C*A	40148		
2135LEDCLR-CS	959932-08	6/00:Cat 1	Front Direction Indicator Lamp	LED	N/A LED	N/A ECE	1 01 E24 0023	980-703-01	1 01 E24 0023
2135LED-CS	959932-03	6/00:Cat 1	Front Direction Indicator Lamp	LED	N/A LED	N/A ECE	1 01 E24 0023	980-703-01	1 01 E24 0023
2136	900741-21	6/00:Cat 1	Front Direction Indicator Lamp	K1221	C21W	FL*2136*A	15211	911-352-03	10833
		49/00	Front End Outline Lamp	L125	C5W	FEO*2136*A	25579		
2136LED	959932-32	6/00:Cat 1	Front Direction Indicator Lamp	LED	N/A LED	DI*2105M*A	36805	959-150-27	9930
2136LEDCLR	959932-37	6/00:Cat 1	Front Direction Indicator Lamp	LED	N/A LED	DI*2105C*A	40148		
2136LEDCLR-CS	959932-07	6/00:Cat 1	Front Direction Indicator Lamp	LED	N/A LED	N/A ECE	1 01 E24 0023	980-703-02	1 01 E24 0023
2136LED-CS	959932-04	6/00:Cat 1	Front Direction Indicator Lamp	LED	N/A LED	N/A ECE	1 01 E24 0023	980-703-02	1 01 E24 0023
2138	959031-00	6/00:Cat 2a	Rear Direction Indicator Lamp	LED	N/A LED	DI*2138*A	23069	959-149-06	9030
		47/00	Retro Reflector (Red/Rear)	N/A	N/A	RE*2317*A-1	22948		

Hella Part No.	Engineering Drawing No.	A.D.R.No.	Function	Bulb(s)	Bulb Type	Hella Ref / ECE	F.O.R.S Ref : CRN / ECE	Instruction Sheet No.	Lamp Identification
2140	900947-00	6/00:Cat 1	Front Direction Indicator Lamp	K1221	C21W	FL*2140*A	15190	911-352-04	52612
		49/00	Front End Outline Lamp	L125	C5W	FEO*2140*A	25580		
2141	900947-05	49/00	Front Position Lamp or Front End Outline Lamp	L125	C5W	FP*2141*A	15176	911-352-05	52612
2142	905141-02	6/00:Cat 5	Supp. Side Direction Indicator Lamp	G125	R5W	FL*2142*B	15203	911-352-06	53174
		6/00:Cat6	Supp. Side Direction Indicator Lamp	R1221	P21W	FL*2142*D	30062		
2143	910663-08	6/00:Cat 2a	Rear Direction Indicator Lamp	R1221	P21W	DI*2143*A	15110	911-352-07	R.D.68158
		49/00	Front End Outline Lamp	G125	R5W	FEO*2143*A	25523		
2144	958583-00	6/00:Cat 2a	Rear Direction Indicator Lamp	R1221	P21W	DI*2144*A	15319	911-352-86	HNZ01
		49/00	Front End Outline Lamp	G125	R5W	FEO*2144*A	25576		
2145	958607-00	6/00:Cat 2a	Rear Direction Indicator Lamp	R1221	P21W	DI*2145*A	15330	911-352-90	HNZ01
		49/00	Front End Outline Lamp	G125	R5W	FEO*2145*A	25577		
2146-H	959041-10	6/00:Cat2a	Rear Direction Indicator Lamp	LED	N/A LED	DI*2146-H*A	26179	959-149-30	9040
2146-HCS	959041-51					DI*2146-H24*A	34498	959-150-57	
2146-H24	959041-50							959-149-88	
2146-V	959041-20					DI*2146-V*A	26180	959-149-30	
2146-VCS	959041-71					DI*2146-VCS*A	40650	959-150-57	
2146-V24	959041-70					DI*2146-V24*A	36718	959-149-88	
2147	003014-01	6/00:Cat 2a	Rear Direction Indicator Lamp	R1221	P21W	FL*2147*A	15168	911-352-11	32619R6
		49/00	Front End Outline Lamp	G125	R5W	FEO*2147*A	25759		
2148	003014-11	6/00:Cat 1	Front Direction Indicator Lamp	R1221	P21W	FL*2148*A	15170	911-352-12	32661R6
		49/00	Front End Outline Lamp	G125	R5W	FEO*2148*A	25761		
2149	003236-32	6/00:Cat 2a	Rear Direction Indicator Lamp	R1221	P21W	FL*2149*A	15171	911-352-13	6R0132764
		49/00	Front End Outline Lamp	G125	R5W	FEO*2149*A	25760		
2150	005603-00	6/00:Cat 1 & 6/00:Cat 5	Front Direction Indicator Lamp and Supp. Side Direction Indicator Lamp	R1221	P21W	FL*2150*A	15172	911-352-14	6R0142748
		49/00	Front End Outline Lamp	G125	R5W	FEO*2150*A	25763		
2151	959070-00	6/00:Cat 2a	Rear Direction Indicator Lamp	LED	N/A LED	FL*2151*A	16492	959-149-01	9060
2152	959070-20							959-149-03	
2151-H	959070-35					FL*2151-H*A	36420	959-150-11	
2151-HCS	980607-00							2a 01 E24 5850	
2151-V	959070-25					FL*2151-V*A	36421	9060	
2151-VCS	980607-50					DI*2151-VCS*A	2a 01 E24 5850	959-150-56	
2153	006692-01	6/00:Cat 6	Supp. Side Direction Indicator Lamp	R1221	P21W	SDI*2153*B	30495	911-353-69	52621
2154	006692-02	6/00:Cat 6	Supp. Side Direction Indicator Lamp	R1221	P21W	SDI*2154*B	30497	911-353-70	
2155	008355-00	6/00:Cat 6	Supp. Side Direction Indicator Lamp	R1221	P21W	SDI*2155*A	30498	911-353-71	1059
2155CLR	008355-01	6/00:Cat 6	Supp. Side Direction Indicator Lamp	RY1221	PY21W	SDI*2155CLR*A	TBA		1848
2156	959075-50	6/00:Cat 2a	Rear Direction Indicator Lamp	LED	N/A LED	DI*2156*A	26483	959-149-28	9074
2156-24V	959075-00	6/00:Cat 2a	Rear Direction Indicator Lamp	LED	N/A LED	DI*2156-24V*A	26104	959-149-29	
2159	959932-72	6/00:Cat 2a	Rear Direction Indicator Lamp	LED	N/A LED	DI*2165-*B	36056	959-150-23	9930
2159-CS	959932-54	6/00:Cat 2a	Rear Direction Indicator Lamp	LED	N/A LED	N/A ECE	2a 01 E24 0023	980-703-06	2a 01 E24 0023
2165	959932-50	6/00:Cat 2a	Rear Direction Indicator Lamp	LED	N/A LED	DI*2165-*B	36056	959-150-06	9930
2165-CS	959932-51	6/00:Cat 2a	Rear Direction Indicator Lamp	LED	N/A LED	N/A ECE	2a 01 E24 0023	959-150-94	2a 01 E24 0023
2167	959932-71	6/00:Cat 2a	Rear Direction Indicator Lamp	LED	N/A LED	DI*2165-*B	36056	959-150-22	9930
2167-CS	959932-53	6/00:Cat 2a	Rear Direction Indicator Lamp	LED	N/A LED	N/A ECE	2a 01 E24 0023	980-703-05	2a 01 E24 0023
2303	901227-19	49/00	Stop Lamp	K1221	C21W	RR*2303*A	15249	911-352-15	910001
2305	963639-30	49/00	Rear Position Lamp or Rear End Outline Lamp	LED	N/A LED	RP*2305*A	24962	911-353-39	9808
		47/00	Retro Reflector (Red/Rear)	N/A	N/A	RE*2305*B	25036		
2306	963639-31	49/00	Rear Position Lamp or Rear End Outline Lamp	LED	N/A LED	RP*2305*A	24962	911-353-39	9808
		47/00	Retro Reflector (Red/Rear)	N/A	N/A	RE*2305*B	25036		

Hella Part No.	Engineering Drawing No.	A.D.R.No.	Function	Bulb(s)	Bulb Type	Hella Ref / ECE	F.O.R.S Ref : CRN / ECE	Instruction Sheet No.	Lamp Identification
2307	959560-10	49/00	Rear Position Lamp or Rear End Outline Lamp	LED	N/A LED	RP*2307*A	40680	959-150-81	9560
2308	959 610-40	49/00	Rear Position Lamp or Rear End Outline Lamp	LED	N/A LED	N/A ECE	E4 7R 02 7597	959-149-20	E4 7R 02 7597
2309	959700-30	49/01	Rear Position Lamp or Rear End Outline Lamp	LED	N/A LED	RR*2309*A	31431	959-149-59	9700
2317	959030-00	47/00	Retro Reflector (Red/Rear)	N/A	N/A	RE*2317*A-1	22948	959-149-05	9030
		49/00	Stop Lamp	LED	N/A LED	SL*2317*B1	22514		
		49/00	Rear Position Lamp	LED	N/A LED	RP*2317*B1	22513		
2319	910664-02	47/00	Retro Reflector (Red/Rear)	N/A	N/A	RE*2319*A	15149	911-352-16	013051
		49/00	Rear Position / Stop Lamp	S1221/5V	P21W/5W	RR*2319*A	15151		
2320	958582-00	47/00	Retro Reflector (Red/Rear)	N/A	N/A	RE*2320*A	15322	911-352-80	HNZ01
		49/00	Rear Position / Stop Lamp	S1221/5V	P21W/5W	RR*2320*A	15321		
2321	958606-00	47/00	Retro Reflector (Red/Rear)	N/A	N/A	RE*2321*A	15327	911-352-91	HNZ01
		49/00	Rear Position / Stop Lamp	S1221/5V	P21W/5W	RR*2321*A	15328		
2322	003236-34	49/00	Rear Position Lamp or Rear End Outline Lamp	G125	R5W	RR*2322*A	15173	911-352-18	7R0111591
2324	006679-02	49/00	Rear Position Lamp or Rear End Outline Lamp	G1210	R10W	RR*2324*A	15251	911-352-20	0131470
2325	003014-05	49/00	Rear Position Lamp or Rear End Outline Lamp	L125	C5W	RR*2325*A	15252	911-352-21	0131418
2330	959060-00	49/00	Rear Position / Stop Lamp	LED	N/A LED	RR*2330*A	16493	959-149-00	9060
2331	959060-20							959-149-02	
2330-H	959-060-35	49/00	Stop Lamp	LED	N/A LED	SL*2330-H*A	36428	959-150-12	9060
			Rear Position Lamp	LED	N/A LED	RP*2330-H*A	36426		
2330-V	959-060-25	49/00	Stop Lamp	LED	N/A LED	SL*2330-V*A	36429	959-150-12	9060
			Rear Position Lamp	LED	N/A LED	RP*2330-V*A	36427		
2332-H	959040-10	49/00	Stop Lamp	LED	N/A LED	SL*2332-H*A	26186	959-149-29	9040
			Rear Position Lamp	LED	N/A LED	RP*2332-H*A	26182		
2332-H24	959040-5x	49/00	Stop Lamp	LED	N/A LED	SL*2332-H24*A	34509	959-149-87	9040
			Rear Position Lamp	LED	N/A LED	RP*2332-H24*A	34502		
2332-V	959040-20	49/00	Stop Lamp	LED	N/A LED	SL*2332-V*A	26187	959-149-29	9040
			Rear Position Lamp	LED	N/A LED	RP*2332-V*A	26185		
2332-V24	959040-70	49/00	Stop Lamp	LED	N/A LED	SL*2332-V24*A	36722	959-149-87	9040
			Rear Position Lamp	LED	N/A LED	RP*2332-V24*A	36721		
2334	959074-50	49/00	Stop Lamp	LED	N/A LED	SL*2334*A	26486	959-149-27	9074
			Rear Position Lamp	LED	N/A LED	RP*2334*A	26484		
2334-24V	959074-00	49/00	Stop Lamp	LED	N/A LED	SL*2334-24V*A	26152	959-149-27	9074
			Rear Position Lamp	LED	N/A LED	RP*2334-24V*A	26151		
2359	959931-12	49/00	Stop Lamp	LED	N/A LED	ST*2365*B	36250	959-150-21	9930
			Rear Position Lamp	LED	N/A LED	RP*2365*B	36078		
2365	959931-00	49/00	Stop Lamp	LED	N/A LED	ST*2365*B	36250	959-150-05	9930
			Rear Position Lamp	LED	N/A LED	RP*2365*B	36078		
2366	959821-00	49/00	Stop Lamp	LED	N/A LED	SL*2366*A	33196	959-149-70	9020
			Rear Position Lamp	LED	N/A LED	RP*2366*A	33198		
2366-24V	959020-00	49/00	Stop Lamp	LED	N/A LED	SL*2366-24V*A	30445	959-149-52	9020
			Rear Position Lamp	LED	N/A LED	RP*2366-24V*A	30443		
2367	959931-11	49/00	Stop Lamp	LED	N/A LED	ST*2365*B	36250	959-150-20	9930
			Rear Position Lamp	LED	N/A LED	RP*2365*B	36078		
2379 2379-CS	959050-00	6/00:Cat 2a	Rear Direction Indicator Lamp	LED	N/A LED	DI*2379*A	30916	959-149-47	9050
	959050-40	49/00	Stop Lamp	LED	N/A LED	SL*2379*A	30919		
		49/00	Rear Position Lamp	LED	N/A LED	RP*2379*A	30917		

Hella Part No.	Engineering Drawing No.	A.D.R.No.	Function	Bulb(s)	Bulb Type	Hella Ref / ECE	F.O.R.S Ref : CRN / ECE	Instruction Sheet No.	Lamp Identification
2382	951221-01	47/00	Retro Reflector (Red/Rear)	N/A	N/A	RE*2382*A	15284	911-352-29	92000
		48/00	Licence Plate Lamp	G125	R5W	LP*2382*A	15285		
		49/00	Rear Position / Stop Lamp	G125/R1221	R5W/P21W	RR*2382*A	15286		
2384	003014-14	48/00	Licence Plate Lamp	L125	C5W	LP*2384*A	15175	911-352-30	231453
		49/00	Rear Position / Stop Lamp	L125/R1221	C5W/P21W	RR*2384*A	15167		
2390	959010-00	49/00	Stop Lamp	LED	N/A LED	SL*2390*A	30651	959-149-51	9010
		49/00	Rear Position Lamp	LED	N/A LED	RP*2390*A	30650		
2394	980720-00	6/00:Cat 2a	Rear Direction Indicator Lamp	LED	N/A LED	DI*2394*A	TBA	980-703-20	0720
		49/00	Stop Lamp	LED	N/A LED	SL*2394*A	TBA		
		49/00	Rear Position Lamp	LED	N/A LED	RP*2394*A	TBA		
		47/00	Retro Reflector (Red/Rear)	N/A	N/A	RE*2920*A	15294		
2395	980720-40	6/00:Cat 2a	Rear Direction Indicator Lamp	LED	N/A LED	DI*2395*A	TBA	980 703-21	0720
		49/00	Stop Lamp	LED	N/A LED	SL*2395*A	TBA		
		49/00	Rear Position Lamp	LED	N/A LED	RP*2395*A	TBA		
		47/00	Retro Reflector (Red/Rear)	N/A	N/A	RE*2920*A	15294		
		48/00	Licence Plate Lamp	LED	N/A LED	LP*2395*A	TBA		
2396	905002-01	6/00:Cat 2a	Rear Direction Indicator Lamp	K1221	C21W	FL*2396*A	15239	911-352-31	54519
		48/00	Licence Plate Lamp	L125	C5W	LP*2396*A	15280		
		49/00	Rear Position / Stop Lamp	L125/K1221	C5W/C21W	RR*2396*A	15238		
2397	905168-00	6/00:Cat 2a	Rear Direction Indicator Lamp	K1221	C21W	FL*2397*A	15258	911-352-32	953811
		47/00	Retro Reflector (Red/Rear)	N/A	N/A	RE*2397*A	15261		
		49/00	Rear Position / Stop Lamp	L125/K1221	C5W/C21W	RR*2397*A	15265		
2398	905070-00	6/00:Cat 2a	Rear Direction Indicator Lamp	K1221	C21W	FL*2398*A	15259	911-352-33	R.D.54508
		49/00	Rear Position / Stop Lamp	L125	C5W/C21W	RR*2398*A	15266		
2399	959010-20	6/00:Cat 2a	Rear Direction Indicator Lamp	LED	N/A LED	DI*2399*A	37114	959-150-30	9010
		49/00	Stop Lamp	LED	N/A LED	SL*2399*A	37116		
		49/00	Rear Position Lamp	LED	N/A LED	RP*2399*A	37115		
2400	910036-01	6/00:Cat 2a	Rear Direction Indicator Lamp	R1221	P21W	FL*2400*A	15260	911-352-34	953811
		47/00	Retro Reflector (Red/Rear)	N/A	N/A	RE*2400*A	15262		
		48/00	Licence Plate Lamp	G1210	R10W	LP*2400*A	15263		
		49/00	Rear Position / Stop Lamp	G1210/R1221	R10W/P21W	RR*2400*A	15267		
2412	954477-00	1/00	Reversing Lamp	R1221	P21W	RL*2412*A	15166	911-352-37	23167
		6/00:Cat 2a	Rear Direction Indicator Lamp	R1221	P21W	FL*2412*A	15165		
		49/00	Rear Position / Stop Lamp	G125/R1221	R5W/P21W	RR*2412*A	15164		
2413	950948-00	1/00	Reversing Lamp	R1221	P21W	RL*2413*A	15178	911-352-38	23167
		6/00:Cat 2a	Rear Direction Indicator Lamp	R1221	P21W	FL*2413*A	15184		
		48/00	Licence Plate Lamp	G125	R5W	LP*2413*A	15155		
		49/00	Rear Position / Stop Lamp	G125/R1221	R5W/P21W	RR*2413*A	15179		
2419	003184-03	6/00:Cat 2a	Rear Direction Indicator Lamp	R1221	P21W	FL*2419*A	15160	911-352-42	7R0153253
		49/00	Rear Position / Stop Lamp	G1210/R1221	R10W/P21W	RR*2419*A	15161		
2420	003184-10	6/00:Cat 2a	Rear Direction Indicator Lamp	R1221	P21W	FL*2420*A	15223	911-352-43	7R0153253
		48/00	Licence Plate Lamp	G1210	R10W	LP*2420*A	15159		
		49/00	Rear Position / Stop Lamp	G1210/R1221	R10W/P21W	RR*2420*A	15222		
2421	004623-00	6/00:Cat 2a	Rear Direction Indicator Lamp	R1221	P21W	FL*2421*A	15208	911-352-44	7R01763
		48/00	Licence Plate Lamp	G1210	R10W	LP*2421*A	15210		
		49/00	Rear Position / Stop Lamp	G1210/R1221	R10W/P21W	RR*2421*A	15209		
2422	958562-00	6/00:Cat 2a	Rear Direction Indicator Lamp	R1221	P21W	DI*2422*A	15320	911-352-81	HNZ01
		47/00	Retro Reflector (Red/Rear)	N/A	N/A	RE*2422*A	15324		
		49/00	Rear Position / Stop Lamp	S1221/5V	P21W/5W	RR*2422*A	15323		

Hella Part No.	Engineering Drawing No.	A.D.R.No.	Function	Bulb(s)	Bulb Type	Hella Ref / ECE	F.O.R.S Ref : CRN / ECE	Instruction Sheet No.	Lamp Identification
2423	958616-00	6/00:Cat 2a	Rear Direction Indicator Lamp	R1221	P21W	DI*2423*A	15338	911-352-92	HNZ01
		47/00	Retro Reflector (Red/Rear)	N/A	N/A	RE*2423*A	15339		
		49/00	Rear Position / Stop Lamp	S1221/5V	P21W/5W	RR*2423*A	15340		
2424	958616-01	6/00:Cat 2a	Rear Direction Indicator Lamp	R1221	P21W	DI*2424*A	15342	911-352-93	HNZ01
		47/00	Retro Reflector (Red/Rear)	N/A	N/A	RE*2424*A	15343		
		49/00	Rear Position / Stop Lamp	S1221/5V	P21W/5W	RR*2424*A	15344		
		1/00	Reversing Lamp	R1221	P21W	RL*2424*A	15341		
2426-H	959-040-801	6/00:Cat2a	Rear Direction Indicator Lamp	LED	N/A LED	DI*2146-H24*A	34498	959-149-88	9040
		49/00	Stop Lamp	LED	N/A LED	SL*2332-H24*A	34509	959-149-87	
		49/00	Rear Position Lamp	LED	N/A LED	RP*2332-H24*A	34502		
2426-V	959-040-901	6/00:Cat2a	Rear Direction Indicator Lamp	LED	N/A LED	DI*2146-V24*A	36718	959-149-88	9040
		49/00	Stop Lamp	LED	N/A LED	SL*2332-V24*A	36722	959-149-87	
		49/00	Rear Position Lamp	LED	N/A LED	RP*2332-V24*A	36721		
2427-H	959-040-811	6/00:Cat2a	Rear Direction Indicator Lamp	LED	N/A LED	DI*2146-H24*A	34498	959-149-88	9040
		49/00	Stop Lamp	LED	N/A LED	SL*2332-H24*A	34509	959-149-87	
		49/00	Rear Position Lamp	LED	N/A LED	RP*2332-H24*A	34502		
2427-V	959-040-911	6/00:Cat2a	Rear Direction Indicator Lamp	LED	N/A LED	DI*2146-V24*A	36718	959-149-88	9040
		49/00	Stop Lamp	LED	N/A LED	SL*2332-V24*A	36722	959-149-87	
		49/00	Rear Position Lamp	LED	N/A LED	RP*2332-V24*A	36721		
2428-H	959-041-811	1/00	Reversing Lamp	LED	N/A LED	RL*1446-H*A	35980	959-149-95	9040
		6/00:Cat2a	Rear Direction Indicator Lamp	LED	N/A LED	DI*2146-H24*A	34498	959-149-88	
		49/00	Stop Lamp	LED	N/A LED	SL*2332-H24*A	34509	959-149-87	
		49/00	Rear Position Lamp	LED	N/A LED	RP*2332-H24*A	34502		
2428-V	959-041-811	1/00	Reversing Lamp	LED	N/A LED	RL*1446-V*A	36243	959-149-95	9040
		6/00:Cat2a	Rear Direction Indicator Lamp	LED	N/A LED	DI*2146-V24*A	36718	959-149-88	
		49/00	Stop Lamp	LED	N/A LED	SL*2332-V24*A	36722	959-149-87	
		49/00	Rear Position Lamp	LED	N/A LED	RP*2332-V24*A	36721		
2553	951068-02	48/00	Licence Plate Lamp	G1210	R10W	LP*2553*A	15150	911-352-47	E1 22819
2554	950921-00	48/00	Licence Plate Lamp	G1210	R10W	LP*2554*A	15236	911-352-48	2554
2555	001389-10	48/00	Licence Plate Lamp	L125	C5W	LP*2555*A	15156	911-352-49	12815R4
2557	900967-03	48/00	Licence Plate Lamp	HL124	T4W (2 Pieces)	LP*2557*A	15207	911-352-50	4151
2558	004525-00	48/00	Licence Plate Lamp	L125	C5W ( 2 Pieces )	LP*2558*A	15326	911-352-85	22861
2559	959640-30	48/00	Licence Plate Lamp	LED	N/A LED	LP*2559H*A	41602	980-703-00	9640
2902	002016-11	47/00	Retro Reflector (Red/Rear)	N/A	N/A	RE*2902*A	15180	911-352-51	0231290
2910	900913-04	47/00	Retro Reflector (Red/Rear)	N/A	N/A	RE*2910*A	15182	911-352-53	0231290
2911	900913-05	47/00	Retro Reflector (White/Front)	N/A	N/A	RE*2911*A	15183	911-352-54	0231290
2915	002014-03	47/00	Retro Reflector (Red/Rear)	N/A	N/A	RE*2915*A	15152	911-352/3-55/50	0221353
2916	002014-05	47/00	Retro Reflector (Amber/Side)	N/A	N/A	RE*2916*A	15153	911-352/3-56/48	0221353
2917	002014-04	47/00	Retro Reflector (White/Front)	N/A	N/A	RE*2917*A	15154	911-352/3-57/49	0221353
2919	004412-00	47/00	Retro Reflector (Amber/Side)	N/A	N/A	RE*2919*A	15233	911-352/3-58/48	02338
2920	004412-02	47/00	Retro Reflector (Red/Rear)	N/A	N/A	RE*2920*A	15294	911-352/3-70/50	02338
2921	004412-01	47/00	Retro Reflector (White/Front)	N/A	N/A	RE*2921*A	15293	911-352/3-71/49	02338
2922	003326-04	47/00	Retro Reflector (Amber/Side)	N/A	N/A	RE*2922*A	15237	911-352/3-59/48	0292031
2923	003326-03	47/00	Retro Reflector (Red/Rear)	N/A	N/A	RE*2923*A	15296	911-352/3-72/50	0292031
2924	003326-05	47/00	Retro Reflector (White/Front)	N/A	N/A	RE*2924*A	15295	911-352/3-73/49	0292031
2925	004713-00	47/00	Retro Reflector (Amber/Side)	N/A	N/A	RE*2925*A	15234	911-352/3-60/48	02353
2926	950767-00	47/00	Retro Reflector (Red/Rear)	N/A	N/A	RE*2926*A	15298	911-352/3-74/50	02353
2927	950766-00	47/00	Retro Reflector (White/Front)	N/A	N/A	RE*2927*A	15297	911-352/3-75/49	02353
2931	002009-01	47/00	Retro Reflector (Amber/Side)	N/A	N/A	RE*2931*A	27087	911-353-35	21340R3

Hella Part No.	Engineering Drawing No.	A.D.R.No.	Function	Bulb(s)	Bulb Type	Hella Ref / ECE	F.O.R.S Ref : CRN / ECE	Instruction Sheet No.	Lamp Identification
2932	002009-02	47/00	Retro Reflector (Red/Rear)	N/A	N/A	RE*2932*A	26990	911-353-36	21340R3
2933	002009-00	47/00	Retro Reflector (White/Front)	N/A	N/A	RE*2933*A	26991	911-353-37	21340R3
2934H	980565-10	47/00	Retro Reflector (Red /Rear)	N/A	N/A	RE*2934-H*A	38243	959-150-34	5651
2934V	980565-50	47/00	Retro Reflector (Red /Rear)	N/A	N/A	RE*2934-V*A	38244	959-150-34	5655
5237	959190-12	49/00 Cat S3	Centre High Level Brake Lamp	LED	N/A LED	BL*5237*B	15350	911-352-64A	523
5238	959191-12	49/00 Cat S3	Centre High Level Brake Lamp	LED	N/A LED	BL*5238*B	15349	911-352-65A	523
5239	959192-12	49/00 Cat S3	Centre High Level Brake Lamp	LED	N/A LED	BL*5239*B	15351	911-352-66A	523
5240	959171-00	49/00 Cat S3	Centre High Level Brake Lamp	WBL122	N/A TYPE WBL122	BL*5240*A	15109	911-352-67	SAE U390
5242	006631-00	49/00 Cat S3	Centre High Level Brake Lamp	W1221	W16W	BL*5242*A	15290	911-352-08	5242
5243	959071-53	49/00 Cat S3	Centre High Level Brake Lamp	LED	N/A LED	8-5243-08	23071	959-089-01	27547
5601	008390-00	46/00	High Beam Headlamp	D2S	D2S	HL*1302*A	28841	911-353-52	1120
5604	002395-84	46/00	Headlamp	XD1260/55	H4	HL*5604*A	15098	911-351-17	53
		49/00	Front Position Lamp	HL124	T4W	FP*5604*A	15099		
5607	009599-80	76/00	Daytime Running Lamp	LED	N/A LED	DRL*5607*B	39474	911-355-15	2372
5608	009496-81	76/00	Daytime Running Lamp	LED	N/A LED	DRL*5608*B	39475	911-355-16	2344
5613	008283-01	46/00	High Beam Headlamp	CA1255	H7	HL*1322*A	26822	911-353-44	041210
5614	008283-00	50/00	Front Fog Lamp	CA1255	H7	FF*1122*A	26829	911-353-45	021209
5615	008284-01	46/00	High Beam Headlamp	CA1255	H7	HL*1323*A	26823	911-353-46	041212
5616	008284-00	50/00	Front Fog Lamp	CA1255	H7	FF*1123*A	26830	911-353-47	021211
5617	980670-00	76/00	Daytime Running Lamp	LED	N/A LED	N/A ECE	E24 87R-000002	980-703-10	0670
5618, 5618-24V	980680-80/85	76/00	Daytime Running Lamp	LED	N/A LED	N/A ECE	RL 00 E24 0001	980-703-12/24	0680
9.1358.01	002659-07	46/00	High Beam Headlamp	YC1255	H3	HL*1358*A	15112	911-351-50	14529

1							
1.5147.01	152	1114	87	1490	28	1548-24V	102
1.6502.01	140	1115	79	1490-BULK	28	1549	102
1.6502.012	140	1118	81	1500	114	1549-24V	102
1.6502.013	140	1122	88	1501	114	1551	104
1.6502.014	140	1123	89	1502-RE24V	116	1551-HD	104
1000	58	1165	76	1509	115	1552	110
1001	63	1178	78	1509/1096	115	1553	106
1003	53	1235/35	256	1511	115	1554	107
1004	52	128 922 00	177	1511-24V	115	1643	138
1005	53	128 922 02	177	1512	115	1644	138
1005-24V	53	1308	82	1513	115	1645	138
1006	28, 53	1309	83	1514	115	1653	134, 141
1016	68	1310	84	1519	111	1655	138
1017	68	1311	80	1519-24V	111	1656	138
1018	63	1312	85	1519-SM	111	1657	138
1019	63	1313	86	1519-SM24V	111	1663	138
1020	63	1313-BLUE	86	1519-SS	111	1688	140
1021	63	1314	87	1519-SS24V	111	1689	140
1024	66	1314-BLUE	87	1520	117	1690	140
1025	66	1318	81	1521	117	1691	140
1027	69	1318-24V	81	1524	117	1692	140
1029-24V	64	1318-BLUE	81	1524-S	117	1694	140
1029H1-24V	64	1319	94	1525	117	1696	140
1030-24V	64	1319-24V	94	1530	108	1702	134
1030H1-24V	64	1322	88	1530-24V	108	1705	134
1040	67	1322-BLUE	88	1531	108	1720	134
1041	66	1323	89	1531-24V	108	1721	134
1042	66	1323-BLUE	89	1532	108	1722	134
1043	66	1365	95	1532-24V	108	1724	134
1044	66	1366	76	1533	112	1726	133
1053	67	1366C-BLUE	77	1533-24V	112	1726-24V	133
1055	63, 67	1366CHROME	77	1533-35W	112	1727	133
1055HD	67	1367	92	1533-DT24V	112	1727-24V	133
1056	68	1368	92	1533-FM	113	1728	133
1058	68	1368-24V	92	1533-FM24V	113	1728-24V	133
1058HD	68	1369	79	1533-H9	113	1729	133
1078	70, 115	1378	78	1533-HAN	112	1730	137
1080	70	1378CHROME	78	1533-HAN24V	112	1731	137
1082	71	1380	95	1533-LR	113	1732	137
1084	71	1381	93	1533-LR24V	113	1732-24V	137
1085	71	1382	93	1533-RE24V	116	1733	137
1086	71	1383	93	1533-SM	112	1733-24V	137
1087	71, 117	13839700	66, 67	1533-SM24V	112	1735	133
1089	71, 117	1384	93	1533-SW	112	1794	136
1092	71, 117	1387	92	1534-G5	103	1795	136
1094	70	1388	92	1535-G5	103	1796	136
1096	70, 115	1388-24V	92	1539-LED	105	1797	136
1098	71	1405	153	1540	110	1797-24V	136
1108	82	1407	152	1540-24V	110	1797-MAG	136
1108-2	82	1413	156	1541	109	1AL 007 045-011	58
1109	83	1430-H	19	1541-24V	109	1AL 007 045-021	58
1109-2	83	1430-V	18	1542	109	1F4 007 893-871	94
1110	84	1433	24	1542-24V	109	1K3 126 046-001	61
1110-2	84	1433-BULK	24	1547	107	1K3 126 680-001	61
1111	80	1446-H	26	1547-24V	107	1K3 132 253-011	61
1112	85	1446-V	26	1547-LED	105	1K3 132 266-011	61
1113	86	1459	30	1547-P	107	1K3 134 855-011	61
		1465	30	1547-P24V	107	1K3 134 856-011	61
		1467	30	1548	102	1LA 990 185-011	63

1LA 993 975-031	63	2051	34	2153	161	2397-24V	146
1LA 993 975-041	63	2051-BULK	34	2154	161	2397-24VBULK	146
1LA 993 975-071	63	2053	34	2155	161	2397-BULK	146
1LA 993 975-081	63	2053-BULK	34	2155-24V	161	2399	29
1LG 009 059-031	59	2053-GMD	36	2156-12V	39	2399-BULK	29
1LG 009 059-041	59	2053-GMDBULK	36	2156-24V	39	2399-TP	29
1LJ 006 360-671	62	2054	35	2159	30	2412	147
1LJ 006 360-681	62	2054-BULK	35	2165	30	2413	147
1LJ 007 143-051	58	2055	33	2167	30	2422	151
1LJ 007 143-061	58	2055-BULK	33	2303	152	2422-24V	151
1LJ 007 235-251	62	2056	33	2305	158	2423	151
1LJ 007 235-261	62	2056-BULK	33	2306	158	2423-24V	151
1LJ 008 758-011	62	2057	33	2307	35	2424	151
1LJ 008 758-021	62	2057-BULK	33	2307-BULK	35	2424-24V	151
1LJ 009 292-821	62	2058	36	2308	33	2426-H	27
1LL 008 053-591	60	2058-BULK	36	2308-BULK	33	2426-V	27
1LL 008 053-601	60	2058P	36	2309	37	2427-H	27
1LL 008 369-271	59	2058P-BULK	36	2317	25	2427-V	27
1LL 008 369-281	59	2064	153	2320	150	2428-H	27
1LL 008 934-011	65	2066	159	2320-24V	150	2428-V	27
1LL 008 934-031	65	2067	159	2321	149	252650A	128
1LL 160 695-001	59	2100	152	2321-24V	149	252654R	128
1LL 160 696-001	59	2101	156	2324	159	2553	164
1LL 009 998-011	65	2108-GMD24V	28, 53	2325	153	2553-24V	164
1LL 009 998-051	65	2118	160	2330	20	2555	164
1NA 009 026-011	60	2123	160	2330-BULK	20	2557	164
1NA 009 026-021	60	2126	156	2330-H	19	2557-24V	164
1NB 006 270-051	58	212660A	128	2330-HBULK	19	2559	23, 29, 33, 164
1NB 006 270-061	58	2127	157	2330-V	18	2559-BULK	33, 164
1ND 007 646-011	59	2128	157	2331-BULK	21	2604	173
1ND 007 646-021	59	2129	157	2332-H24	26	2608	178
1NL 005 680-111	61	2130	28	2332-V24	26	2610	178
1NL 005 680-121	61	2130-BULK	28	2334-12V	39	2611	178
		2131-CS	31, 38	2334-24V	39	2617	178
		2133	24	2359	30	2633	177
		2133-BULK	24	2365	30	2636	177
		2133-CS	24, 38	2366	24	2637	177
2.0423.03	152	2135LED	31	2366-BULK	24	2637-W	177
2.0957.04	160	2138	25	2367	30	2638	177
2.0965.02	160	2142	160	2379	22, 23	2639	177
2.1872.01	160	2144	150	2379-BULK	22	2641	42, 176
2.2459.01	152	2144-24V	150	2379-CS	22, 38	2641-24V	42, 176
2.6830.01	152	2145	149	2379-GMD	22	2641HB	42, 176
2.6856.01	152	2145-24V	149	2379-TP	23	2641HB-24V	42, 176
2.9800.08	178	2146-H24	26	2384	153	2642	179
2.9800.09	157	2146-HCS	26, 38	2390	28	2642-24V	179
2000	152	2146-V24	26	2390-BULK	28	2643	179
2000-BULK	152	2146-VCS	26, 38	2394	32	2643-24V	179
2006	158	2147	153	2394-6M	32	2644	179
2007	158	2148	153	2394-6MBULK	32	2644-24V	179
2026	34	2150	148	2394-BULK	32	2648	175
2026-BULK	34	2151	20	2395	32	2648-24V	175
2031	37	2151-BULK	20	2395-6M	32	2651	43, 176
2033	37	2151-H	19	2395-6MBULK	32	2651-24V	43, 176
2041	150	2151-HBULK	19	2395-BULK	32	2651WW	43, 176
2041-24V	150	2151-HCS	19, 38	2395-TP	32	2651WW-24V	43, 176
2042	159	2151-V	18	2396	146	2708	194
2042-BULK	159	2151-VCS	18, 38	2396-BULK	146	2709	194
2046	149	2152-BULK	21	2397	146	27091001	129
2046-24V	149						

### 2

27091071	129	2BA 005 603-011	148	3063	191	4424	201
2710	194	2BA 009 001-001	154	3064	190	4426	200
2711	194	2BA 009 001-071	154	3065	190	4427	200
2712	194	2DA007541001	165	3076	188	4428	200
2713	194	2JA 959 950-011	44, 172	3077	188	4429	200
2714	194	2JA 959 950-021	44, 172	3078	188	4430	200
2715	194	2JA 959 950-551	44, 172	3078-BULK	188	4433	201
2716	194	2JA 959 950-561	44, 172	3079	188	4434	201
2716-24V	194	2PF 009 001-081	154	3079-BULK	188	4435	201
2717	194	2PS 008 645-001	158	3080	189	4436	201
2717-24V	194	2PS 008 645-011	158	3080-BULK	189	4444	200
2718	194	2PS 963 639-007	158	3081	189	4445	200
2718-24V	194	2PS 963 639-017	158	3081-BULK	189	4446	200
2719	194	2RL 009 688 001	132	3082	188	4447	200
2719-24V	194	2SA 009 001-041	154	3082-BULK	188	4448	200
2720	194	2SB 005 603-137	148	3083	188	4451	202
2720-24V	194	2SB 009 001-061	154	3083-BULK	188	4452	202
2755	230	2SB 009 362-021	155	3084	190	4453	197
2761	199	2SK 008 679-811	59	3085	190	4454	197
2762	202	2VP 008 204-061	147	3086	191	4456	197
2763	204	2VP 008 272-861	60	3086-24V	191	4460	197
2766	195	2VP 341 419-127	147	3087	191	4461	202
2859	114	2VP 341 419-137	147	3087-24V	191	4470	203
2860-BLACK	111	2VP 343 640-027	146	3099	191	4471	203
2864	117	2VP 343 640-037	146	329000A	127	4472	203
2901	162	2ZR 005 603-061	148	329000AA	127	4473	203
2902	162	2ZR 009 001-011	154	329000R	127	4474	203
2910	162			329000RR	127	4475	203
2910-2	162	<b>3</b>				4476	203
2910H	162			<b>4</b>		4477	203
2911	162	3007	184			4478	203
2915	163	3008	140, 184	4005	195	4479	203
2915-1	163	3014	184	4008	195	4480	203
2916	163	3015	184	4008HD	195	4481	203
2916-1	163	3016	185	4009	195	4482	200
2917	163	3016LED1	185	4010	195	4483	200
2917-1	163	3016LED2	185	4020	196	4484	200
2919	163	3017	185	4021	196	4501	204
292	261	3018	185	4022	196	4502	204
2920	23, 163	3026	184	4023	196	4503	204
2920-BULK	163	3027	184	4024	196	4506	204
2921	163	3028	184	4055	198	454201A	130
2922	163	3032	186	4056	197	454201A-24V	130
2922-2	163	3033	186	4100	204	454201AMAG	130
2923	163	3034	186	4152	201	454201B	130
2923-2	163	3036	186	4202	197	454201R	130
2923-2BULK	163	3037	186	4206	198	454201R-24V	130
2923-BULK	163	3038	186	4208	198	454217	130
2924	163	3039	186	4302	202	454218	130
2925	163	3053	187	4400	199	4550	205
2926	163	3054	187	4403	199	4553	205
2927	163	3055	187	4406	199	4560	205
2930	162	3056	187	4409	199	4562	205
2930-BULK	162	3057	189	4411	199	4640	206
2934H	29	3058	189	4412	199	4641	206
2934V	29	3059	187	4420	201	4650	206
2AA 713 628-021	211	3060	187	4421	201	4652	206
2AA 713 628-031	211	3061	190	4422	201	4653	207
2AA 713 628-041	211	3062	190	4423	201	4654	207

4720	207	<b>5</b>		6FH 007 832-161	208	8000	212
4721	207			6GM 007 832-181	208	8003	184
4722	206	5227	198	6GM 007 832-191	208	8005	212
4723	207	5237	165	6GM 007 832-221	208	8007	133, 135, 137, 141
4724	206	5238	165	6GM 007 832-251	208	8007FM	133, 135, 137, 141
4901	212	5239	165	6GM 007 832-271	208	8007RA	133, 135, 137, 141
4901X	212	5242	165	6HH 007 832-281	209	8008	133, 135, 137, 141
4902	212	5243	39, 165	6HH 007 832-301	209	8009	213
4907	214	5243-24V	39, 165	6RH 007 832-331	209	8009-BULK	213
4908	214	5243-24V CLEAR	39, 165	6RH 007 832-351	209	8022	212
4909	212	5243-CLEAR	39, 165	6RH 007 832-377	209	8027	138
4911	212	5613	88	6RH 007 832-381	209	8028	138
4911-BULK	212	5615	89	6RH 007 832-391	209	8100	85
4912	212	5617	52	6RH 007 832-411	209	8101	86
4912-BULK	212	5617-OE	52	6RH 007 832-431	209	8102	87
4914	215	5618	53	6RH 007 832-441	209	8115	78
4915	215	5618-24V	53	6RH 007 832-451	209	8117	81
4916	215	5DV 007 760-631	118	6RH 007 832-461	209	8121	82
4917	215	5DV 007 780-171	118	6RH 007 832-511	209	8122	83
4918	215					8123	84
4920	213	<b>6</b>		<b>7</b>		8124	80
4921	23, 29, 213					8125	76, 92, 95
4943-R	216	6001	217	7013	222	8126	76, 92, 95
4950	216	6002	217	71722	135	8136	84
4951	216	6003	217	71723	135	8137	82
4952	216	6004	217	71724	135	8138	83
4960	224	6005	217	71725	135	8139	80
4960FM	224	6008	221	71726	135	8141	76, 92, 95
4960MF	224	6009	221	7210897	131	8143	85
4961	224	6010	221	7210989	131	8144	86
4962	224	6011	221	7211700	131	8145	87
4963	225	6012	221	7211702	131	8147	88
4964	225	6013	221	7211900	131	8148	89
4965	225	6014	218	7211900-R	131	8153	81, 94
4972-H1	69	6020	217	7211908	131	8155	78, 93, 95
4972-H4	69	6021	220	7211908-R	131	8200	228, 230
4972-H7	69	6022	220	7411010	131	8201	228, 230
4973	189	6023	220	7411163	131	8202	228, 230
4973-BULK	189	6025	218	7411166	131	8203	228, 230
4973-M	190	6026	218	7411167	131	8204	228, 230
4980	227	6027	218	7411169	131	8205	228, 230
4981-P	226	6039	218	7411173	131	8210	228, 230
4981-S	226	6040	218	7411176	131	8211	228, 230
4982	226	6041	220	7411177	131	8212	228
4982-P	226	6042	220	7411179	131	8213	228, 230
4982-S	226	6043	220	7411183	131	8214	228, 230
4983	226	6044	220	7411186	131	8215	228
4983-P	226	6047	219	7411187	131	8216	228
4983-S	226	6048	219	7411189	131	8220	228, 230
4984	226	6049	219	7415010	131	8221	228, 230
4984-P	226	6100	222	7415010-P	131	8222	228, 230
4984-S	226	6101	222	7415111	131	8223	228, 230
4985-P	226	6EH 007 832-011	208	7415111-P	131	8224	229
4985-S	226	6EH 007 832-021	208	7439234	131	8230	229, 230
4986-P	226	6EH 007 832-041	208			8231	229, 230
4986-S	226	6FH 007 832-051	208	<b>8</b>		8232	229, 230
		6FH 007 832-061	208			8235	229, 230
		6FH 007 832-101	208	8.0002.01	239	8240	229
		6FH 007 832-131	208	8.0002.03	239	8241	229, 230

8242	229	8515	228	8773LP	237	9.1110.01	84
8243	229	8516	228	8773MINI	236	9.1110.02	84
8244	229, 230	8520	228	8774	236	9.1111.01	80
8245	229	8521	228	8774LP	237	9.1111.02	80
8246	229	8522	228	8774MINI	236	9.1112.01	85
8247	229, 230	8523	228	8775	236	9.1113.01	86
8248	229	8524	229	8775LP	237	9.1114.01	87
8249	229	8530	229	8775MINI	236	9.1115.08	79
8260	229	8531	229	8776	236	9.1118.01	81
8261	229	8532	229	8776LP	237	9.1165.01	76
8262	229	8535	229	8776MINI	236	9.1178.01	78
8263	229	8540	229	8777	236	9.1308.01	82
8271	223	8541	229	8777LP	237	9.1308.08	82, 83, 84
8272	223, 230	8542	229	8777MINI	236	9.1309.01	83
8273	223	8543	229	8779	236	9.1310.01	84
8275	223	8544	229	8790	237	9.1310.09	84
8280	230	8545	229	8791	237	9.1311.07	80
8281	230	8546	229	8792	237	9.1312.01	85
8282	230	8547	229	8793	237	9.1312.08	85, 86, 87
8284	230	8548	229	8794	237	9.1313.01	86
8298	223, 227	8549	229	8795	237	9.1313.01B	86
8300	231	8560	229	8796	237	9.1314.01	87
8306	231	8561	229	8ES 009 096-001	139	9.1314.01B	87
8312	231	8562	229	8ES 009 096-011	139	9.1318.01	81
8320	231	8563	229	8GS 863 467-001	139	9.1318.01B	81
8322	231	8573	211, 229	8GS 863 467-011	139	9.1319.01	94
8331UV	232	8572001A	132	8GS 863 467-021	139	9.1358.01	68
8332UV	232	8572001A-01	132	8GS 863 467-031	139	9.1365.01	95
8333UV	232	8572001A-02	132	8HG 713 626-001	211	9.1365.05	76
8334UV	232	8572001A-03	132	8HG 714 504-001	211	9.1365.06	76, 78, 92, 93
8335UV	232	8572001A-07	132	8HG 716 734-001	211	9.1365.07	76, 95
8336UV	232	8701	233	8HG 716 735-001	211	9.1366.01	76
8341	232	8703	233	8JA 005 952 001	214	9.1366.02	76, 77
8341UV	232	8704	233	8JA 007 644-041	214	9.1366C.01BL	77
8342	232	8707	233	8JA 713 631-001	211	9.1366C.07	77
8342UV	232	8718	233	8JA 715 600-001	211	9.1367.01HB	92
8343	232	8719	233	8JB 007 645-021	214	9.1367.07	92
8343UV	232	8720	234	8JD 008 151-051	63	9.1368.01HB	92
8344	232	8720-S	234	8JD 156 150-807	155	9.1378.01	78
8344UV	232	8721	234	8JD 162 211 801	65	9.1380.01	95
8345	232	8721-S	234	8JD 162 581-802	155	9.1381.01	93
8345UV	232	8722	234	8KB 157 198-801	60	9.1382.01	93
8346	232	8722-S	234	8PE 863 807 001	214, 223	9.1383.07	93
8346UV	232	8723	234	8PL 859 418 001	239	9.1387.01	92
8452	233	8724	235	8RA 009 001-031	155	9.1387.07	92
8453	233	8725	235			9.1388.01	92
8454	233	8736	235			9.1405.01	153
8455	233	8737	235			9.1413.02	156
8500	228	8738	235	9.1000.01	58	9.1500.01	114
8501	228	8739	235	9.1001.01	63	9.1509.01	115
8502	228	8740	235	9.1025.07	66	9.1509.02	115
8503	228	8741	235	9.1027.01	69	9.1511.01	115
8504	228	8771	236	9.1027.02	69	9.1511.06	115
8505	228	8771LP	237	9.1027.04	69	9.1511.08	115
8510	228	8771MINI	236	9.1029.07	64	9.1512.01	115
8511	228	8772	236	9.1029.08	64	9.1513.01	115
8512	228	8772LP	237	9.1029.09	64	9.1514.09	115
8513	228	8772MINI	236	9.1029.10	64, 65	9.1520.06	117
8514	228	8773	236	9.1108.01	82	9.1520.07	119

## 9

9.1524.06	117	9.1737.91	133, 134, 136, 141	9.2423.09	27, 151	95903791	50, 124
9.1530.01	108	9.1794.01	136	9.2553.01	164	95907360	49, 126
9.1530.07	108, 109, 119	9.1794.23	136, 141	9.2557.01	164	95907365	49, 126
9.1530.08	119	9.1795.01	136	9.2559.02	33, 164	95907370	49, 126
9.1531.01	108	9.1796.01	136	9.2559.08	33, 54, 164	95907375	49, 126
9.1531.08	119	9.1797.01	136	9.2559.09	54	95913610	127
9.1532.01	108	9.1797.91	136, 141	9.2559.19	54	95950520	46, 55
9.1533.01	112	9.2006.01	158	9.2642.01	179	95950531	46, 55
9.1533.02	113	9.2006.02	158	9.2642.02	179, 263	95950550	46, 55
9.1533.03	113	9.2006.03	158	9.2643.01	179	95950552	46, 55
9.1533.05	110, 112, 113, 116, 119	9.2041.01	149, 150, 151	9.2643.02	179, 263	95950556	46, 55
9.1533.08	110, 112, 113, 114, 119	9.2041.08	149, 150, 151	9.2644.01	179	95951001	48
9.1533H9.05	113, 119	9.2041.08-24V	149, 150, 151	9.2859.01	114	95951006	48
9.1533RE.01	116	9.2041.09-BULK	150	9.2859.02	111, 114	95951015	48
9.1534.03	118	9.2043.01	149	9.2864.01	117	95951025	48
9.1534.05	65, 118, 119	9.2043.05	149, 150, 151	9.2864.07	117	95951031	48
9.1534G4.03	92, 93, 94, 102, 118	9.2046.09-BULK	149	9.2864.08	117	95951033	48
9.1534G5.01	102, 103	9.2053.07	35, 54	9.4960.01	224, 225	95951040	48
9.1535.03	118	9.2053.08	34, 35, 36	9.4960.02	224, 225	95951051	48
9.1535G4.03	92, 93, 94, 102, 118	9.2053.09	34, 35	9.4960.03	224, 225	95951053	48
9.1540.01	110	9.2053.10-BULK	35	9.4960.04	224, 225	95951065	48
9.1541.01	109	9.2053.11-BULK	35	9.4960.05	224, 225	95951071	48
9.1542.01	109	9.2053.12-BULK	35	9.4980.01	227	95951073	48
9.1549.02	102	9.2053.13-BULK	35	9.4980.02	227	95951080	48
9.1549.05	65, 102, 103, 104, 112, 118, 119	9.2053.14-BULK	35	9.4980.03	227	95951095	48
9.1643.01	138	9.2053.15-BULK	35	9.4980.04	227	95959606	46, 174
9.1643.03	138	9.2058.09	36	9.4980.05	227	95959616	46, 174
9.1644.01	138	9.2058.10	36	9.4980.06	227	95959908	46, 174
9.1645.01	138	9.2064.01	153	9.4980.07	227	95959918	46, 174
9.1655.01	138	9.2101.01	156	9.4980.09	227	95963025	45
9.1655.03	138	9.2126.01	156	9.4980.20	227	95963046	45
9.1656.01	138	9.2142.01	160	9.4980.21	227	95963055	45
9.1657.01	138	9.2143.01	149	9.4982.05	226, 227	95968060	48
9.1708.01	134	9.2144.01	149, 150, 151	9.4983.05	226, 227	95968070	48
9.1709.01	134	9.2147.01	153	9.5237.01	165	95968080	48
9.1713.01	134	9.2148.01	153	9.5237.09	165	95968090	48
9.1717.01	134	9.2155.05	161	9.5238.09	165	95968500	48, 55
9.1717.05	134, 141	9.2319.01	149	9.5239.09	165	95968502	48, 55
9.1717.23	134, 141	9.2320.01	149, 150, 151	9.5240.30	54	95968506	48, 55
9.1717.52	141	9.2320.08	149, 150, 151	9.5243.05	39	95970010	43, 175
9.1717.54	134, 141	9.2320.08-24V	149, 150, 151	9.6008.06	221	95982050	44, 173
9.1718.01	134	9.2325.01	153	9.8273.01	223	95995200	54, 172, 173
9.1719.01	134	9.2330.08	54	9.71722.01	135	95995201	54, 172, 173
9.1720.52	141	9.2330.10	54	95901140	51, 125	95999310	46, 55
9.1720.54	134, 141	9.2330.11	54	95901145	51, 125	95999311	46, 55
9.1723.01	134	9.2330.12	54	95901160	51, 125	95999354	47, 55
9.1724.01	134	9.2330.13	54	95901165	51, 125	95999360	47, 55
9.1725.02	134	9.2330.14	54	95902081	49, 126	98050001	46
9.1726.01	133	9.2330.16	54	95902181	49, 126	98050021	46
9.1726.23	133, 141	9.2330.17	54	95903701	50, 124	98050101	46
9.1726.52	133, 136, 141	9.2366.08	54	95903711	50, 124	98050121	46
9.1727.01	133	9.2366.11	54	95903720	41, 171	98050201	46
9.1728.01	133	9.2366.17	54	95903721	41, 171	98050221	46
9.1730.01	137	9.2384.01	153	95903730	41, 171	98050241	46
9.1730.23	137, 141	9.2394.09	32, 55	95903731	41, 171	98050301	46
9.1732.23	137, 141	9.2396.01	146	95903740	41, 171	98050321	46
9.1732.52	137, 141	9.2397.01	146	95903741	41, 171	98050341	46
9.1732.54	137, 141	9.2412.01	147	95903761	50, 124	98050701	46
		9.2422.09-BULK	27, 151	95903781	50, 124	98050721	46



<b>H</b>		R2421-BULK	257	WS242	258	YM1210	262
H122	259	R2421HD-BULK	257	WS1212	258	YM1220	262
H123	259	R2421-TS	247, 257	WY125	258	YM2410	262
H123-BULK	259	RQ1221	257	WY125SV-2	258	YM2420	262
H126	259	RQ2421	257				
H126-BULK	259	RY1221	257	<b>X</b>		<b>Z</b>	
H242	259	RY1221-BULK	257	XD1260/55	251	Z8559A002B	131
H242-BULK	259	RY1221SV-2	257	XD1260/55-BULK	251		
H1210	259	RY2421	257	XD1260/55CB	245, 251		
HL124	259			XD1260/55LL	245, 251		
HL124-BULK	259	<b>S</b>		XD1260/55UP	247, 251		
HL124BV	245, 259	S1221/5V	257	XD1260/55X	246, 251		
HL126X	259	S1221/5V-BULK	257	XD1260/55X-BULK	251		
HL244	259	S1221/5VLL	245, 257	XD1260/55XU	246, 251		
HL244-BULK	259	S2421/5V	257	XD2475/70	251		
HL244-TS	247, 259	S2421/5V-BULK	257	XD2475/70-BULK	251		
HL247	259	S9.2042.01	159	XD2475/70TS	247, 251		
HMXN4YEL	250	S9.2044.01	159	XD2475/70TS-BULK	251		
		S9.2045.01	159	XD12100/90	251		
		S9.2559.09	33, 164	XD12100/90-BULK	251		
<b>J</b>		SEG 700DLX	239	XD24100/90	251		
J122	261	SEG 700L	239	XD24100/90-BULK	251		
J243	261	SZ1221/4	257	XE1260/55	256		
				XE2475/70	256		
<b>K</b>				XF1265/55	256		
K1210	260	<b>T</b>		XG1245/55	256		
K1210-BULK	260	TL8W/336J	179, 263	XG1265/55	256		
K1221	260			XN000	139, 263		
K1221-BULK	260	<b>U</b>		XN451	139, 263		
K2410	260	U1245	262	XN602	139, 263		
K2410-BULK	260	U2445	262	XN850	139, 263		
K2421	260			XN6000	139, 263		
K2421-BULK	260	<b>W</b>		XN7000	139, 263		
		W121.2	258				
		W121.2-BULK	258	<b>Y</b>			
<b>L</b>		W122	258	YC1235	252		
L125	260	W123	258	YC1255	252		
L125-BULK	260	W125	258	YC1255-BULK	252		
L125LL	245, 260	W125BSV-2	258	YC1255CB	245, 252		
L245	260	W125-BULK	258	YC1255LL	245, 252		
L245-BULK	260	W125BV	258	YC1255UP	247, 252		
L1210	260	W125LL	245, 258	YC1255X	246, 252		
L2410	260	W126X	258	YC1255XU	246, 252		
L2410-BULK	260	W241.2	258	YC2455	252		
		W241.2-BULK	258	YC2455-BULK	252		
<b>M</b>		W242-BULK	258	YC2470	252		
M123	260	W243	258	YC2470-BULK	252		
M123-BULK	260	W245	258	YC2470TS	247, 252		
M243	260	W245-BULK	258	YC2470TS-BULK	252		
M243-BULK	260	W1216	258	YC12100	252		
		W1221	258	YC12100-BULK	252		
<b>N</b>		WBL122	258	YC24100	252		
N1210	260	WD121.2-BULK	261	YC24100-BULK	252		
N1210-BULK	260	WD241.2-2741MF8	261	YL125	262		
		WD241.2-2741MFX	261	YL126	262		
<b>R</b>		WD241.2-BULK	261	YL1220	262		
R1221	257	WP1227	261	YL1250	262		
R1221-BULK	257	WP1227/7	261	YL1250TF	262		
R1221LL	245, 257	WPA1227/7	261	YM125	262		
R2418	257	WS122	258				
R2421	257						

# *Supercars deserve the best lighting*



## *Advanced Technology*

The New Zealand designed Hulme Supercar is a high performance mid engine road car, with bold styling elements inspired by Formula One designs. Right from the outset the entrepreneurs behind the exciting Hulme Supercar project approached Hella as development partner for the entire performance lighting package.

When only the best will do, Hella 'Fit and Forget' lighting is consistently the first choice for engineers, auto electricians, designers, professional drivers and fleet managers.



**SAFETY** through Vision and Innovation



**LED** For Ultra Low Power Consumption

# Hella LED Safety DayLights™

## Maximise Your Vehicle Visibility

Driving during daylight hours with your headlamps on, has long been promoted by authorities to enhance road safety. However dipped beam headlamps are designed to efficiently light up the road in front of the vehicle during darkness, whilst causing as little glare as possible to oncoming traffic.

Hella LED Safety DayLights™ (DRL) are designed as forward facing signal lamps to enhance the visibility of your vehicle to other road users during daylight hours. The failure to see a bus, truck or car approaching, particularly at intersections, has been identified as one of the most significant factors in daytime accidents.



Hella LED Safety DayLights™ use 95% less energy than your dipped beam headlamps saving as much as 0.2 litre of fuel per 100km and preserve the life of your valuable headlamp bulbs whilst significantly enhancing the conspicuity of your vehicle and with that road safety.

International research has concluded time and again the effectiveness of dedicated Safety DayLights™ (DRL) in lowering the road toll.

Many European and Australian cars are now imported into New Zealand with Safety DayLights™ (DRL) as standard equipment.

Hella LED Safety DayLights™ are a long life 'Fit and Forget' solution to bring your vehicle up to the latest Safety Standard.

### Hella's Product Initiative to reduce the New Zealand Road Toll



#### Hella-New Zealand Limited

Head Office: 81-83 Ben Lomond Crescent  
Pakuranga, Auckland, New Zealand  
PO Box 51-427, Manukau 2140

Tel: +64 (0) 9 577 0000  
Fax: +64 (0) 9 576 2476

#### Sales/Customer Service:

Tel: +64 (0) 9 577 0366  
Fax: +64 (0) 9 576 8202

[www.hella.co.nz](http://www.hella.co.nz)

**SAFETY through Vision and Innovation**

